

YKK

Little Parts. Big Difference.

**Plastic
Hardware
Catalogue**
Standard Products



Harness

Your **D**reams

YKK Plastic Hardware utilizes YKK's high technology
gained from our long years of experience in mold injection.
Outdoor, travel, sports, fashion....
YKK is always there to make it happen.

with **YKK.**



Buckle

旁開扣
前開扣
轉鎖扣

LB-GV P.09  (New)	LB-GVD P.09  (New)	LB-GVS P.10  (New)	LB-GP P.11  (New)	LB-GPD P.11  (New)	LB-GPS P.12  (New)	
LB-SSC P.13  (New) Flapped Buckle	LB-SSWC P.13  (New) Flapped Buckle	LB-SS P.14  (New)	LB-SSD P.14  (New)	LB-SSS P.15  (New)	LB-CV P.16  (New) Sharpn' Loc®	LB-YC P.17  Sharpn' Loc®
LB-YCD P.17  Sharpn' Loc®	LB-YCS P.18  Sharpn' Loc®	LB-YCT P.18  Sharpn' Loc®	LM-YC P.18  Sharpn' Loc®	LB-TS P.19  2 Way Release	LB-TSD P.19  2 Way Release	LM-TS P.20  2 Way Release
LB-RT P.21  Flapped Buckle	LB-MP P.22  UL Approved	LB-EQ P.22  Rotatable	LB-LW P.23  Ultra-Lightweight	LB-LWD P.23  Ultra-Lightweight	LB-LWS P.24  Ultra-Lightweight	LB-LWH P.24  (New) Ultra-Lightweight
LM-LW P.24  Ultra-Lightweight	LB-MV P.25 	LB-MVD P.25 	LB-MVS P.26 	LB-MVW P.27 	LM-MV P.27 	LB-HE P.28 
LB-HED P.28 	LB-LV P.29  Lightweight	LB-LVD P.29  Lightweight	LB-LVS P.30  Lightweight	LM-LV P.30  Lightweight	LB-WG P.31  SHOCKONLOC®	LB-WGD P.32  SHOCKONLOC®

These fastening products are aimed at the apparel and luggage industries, but technical assistance and support are available for users interested in other applications.

本產品主要係針對皮包、成衣類等等所開發之商品。
如有特殊用途之要求、或有不明瞭之處請洽詢營業人員。

LB-WGS P.32  SHOCKONLOC®	LB-WG1 P.33  HAMMERLOC®	LB-WGD1 P.34  HAMMERLOC®	LB-WGS1 P.34  HAMMERLOC®	LB-PT P.35  HAMMERLOC®	LB-PTD P.35  HAMMERLOC®	LB-PTS P.36  HAMMERLOC®
LB-PTA P.36  HAMMERLOC®	LM-PT P.37  HAMMERLOC®	LB-PTC P.37  HAMMERLOC®	LM-D / DB P.38  HAMMERLOC®	LM-DH/DHB P.38  HAMMERLOC®	LB-R P.39  HAMMERLOC®	LB-RD P.39  HAMMERLOC®
LB-RP P.40  UL Approved	LB-RN P.40  HAMMERLOC®	LB-RND P.41  HAMMERLOC®	LB-X P.42  CYBERLOC®	LB-XD P.42  CYBERLOC®	LB-XC P.43  HAMMERLOC®	LB-RH P.43  HAMMERLOC®
LB-RC P.43  HAMMERLOC®	LB-PC P.44  HAMMERLOC®	LB-LB P.44  Minimal	LB-LS P.44  Minimal	LB-RS P.45  Thin	LB-S P.45  HAMMERLOC®	LB-FR P.46  HAMMERLOC®
LB-F2 P.46  HAMMERLOC®	LB-FU P.47  HAMMERLOC®	LB-Q P.47  Rotatable	WB-S1 P.48  Suspender	LB-FW5 P.49  New 5way	LB-FW2/FW P.50  3way	WB-H P.51  Belt Buckle
WB-HS P.51  Belt Buckle	WB-DA2 P.52  Belt Buckle	WB-DAH1 P.52  Belt Buckle				
Cam Buckle 調整扣	LA-CB P.53  HAMMERLOC®	LA-CN P.54  HAMMERLOC®	I.D. Card Holder 名片夾	LJ-H/HW P.55  HAMMERLOC®		

Strap Adjuster 梯扣



Sharpn' Loc®

Sharpn' Loc®



LOCWAVE® Adjuster

LOCWAVE® Adjuster

LOCWAVE® Adjuster

Lightweight Adjuster

Lightweight Adjuster

HAMMERLOC® Adjuster



UL Approved

Clip 織帶夾



Loop 分帶片



HAMMERLOC® 3way-Loop

Tri-Bar Adjuster 日型環



Clip 織帶夾








































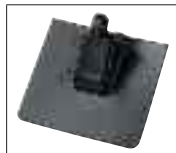


Attachable

Piping-Slider

Plastic Spring

Metal Spring

LN-AS P.69  Plastic Spring	LN-M1S P.69  Metal Spring	LN-M2S P.70  Metal Spring	LN-ML P.70  Plastic Spring	LN-AR1 P.71  Swivel & Rotate	LN-RE P.71  Swivel & Rotate	LF-CH P.72 	
LF-HA P.72 	LN-SX P.73 	LN-KH P.73 	LN-ZR P.74  Swivel & Rotate	LN-Z P.74  Swivel & Rotate	D-Ring D型環	LD-KN P.75 	
LD-S P.75 	LD-E P.75 	LD-K P.75 	LD-R P.76 	LD-RE P.76 	LD-TW P.76  Twist		
Cord Stopper 繩索扣	LC03WL P.77  Plastic Spring	LC05PC P.77  Metal Spring	LC05PD P.77  Metal Spring	LC05SR P.78  Plastic Spring	LC05KW P.78  Plastic Spring	LC05HW P.78  Plastic Spring	
	LC05RW P.78  Plastic Spring	LC05KH P.78  Plastic Spring	LC05SC P.79  Plastic Spring	LC05SB P.79  Plastic Spring	LC05WC P.79  Plastic Spring	LC05WF P.79  Plastic Spring	LC03PE P.79  Metal Spring
Cord Holder 耳機孔	LC05UG P.80  Sewable	LC02US / LC10US P.80  Sewable		LC02UC P.81  Sewable	LC02UH2 P.81  Sewable	LC05EL P.81  Sewable	
Zipper Cover 拉鏈蓋	WZ-CO P.82  ZIPCAP® Outer-Cap	WZ-SI/WZ05NI P.82  ZIPCAP® Innerer-Cap	LZ05DLW P.82  Key Lock				

Cord End 繩尾扣



Zipper Pull 拉片扣



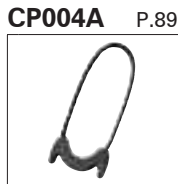
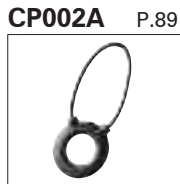
Belt Adjuster 帽扣



Paper Clip 迴紋針



Cord Insert Puller 繩索拉片



Tape End 織帶尾夾



Metal Adjuster 梯扣



These fastening products are aimed at the apparel and luggage industries, but technical assistance and support are available for users interested in other applications.

本產品主要係針對皮包、成衣類等等所開發之商品。如有特殊用途之要求、或有不明瞭之處請洽詢營業人員。

INDEX

A

AK-W 91
AK-WL 91

C

CP002A 89
CP004A 89
CP010A 88
CP011A 88
CP012A 88
CP013A 88
CP014A 88
CP015A 88

I

IC20RY 87
IJ01SC 86

L

LA-AXA/AXB 67
LA-CB 53
LA-CN 54
LA-EJ 66
LA-PS 67
LA-PYB 63
LA-RH 63
LA-S 65
LB-CV 16
LB-EQ 22
LB-F2 46
LB-FR 46
LB-FU 47
LB-FW2/FW 50
LB-FW5 49
LB-GP 11
LB-GPD 11
LB-GPS 12
LB-GV 09
LB-GVD 09
LB-GVS 10
LB-HE 28
LB-HED 28

LB-LB 44
LB-LS 44
LB-LV 29
LB-LVD 29
LB-LVS 30
LB-LW 23
LB-LWD 23
LB-LWH 24
LB-LWS 24
LB-MP 22
LB-MV 25
LB-MVD 25
LB-MVS 26
LB-MVW 27
LB-PC 44
LB-PT 35
LB-PTA 36
LB-PTC 37
LB-PTD 35
LB-PTS 36
LB-Q 47
LB-R 39
LB-RC 43
LB-RD 39
LB-RH 43
LB-RN 40
LB-RND 41
LB-RP 40
LB-RS 45
LB-RT 21
LB-S 45
LB-SS 14
LB-SSC 13
LB-SSD 14
LB-SSS 15
LB-SSWC 13
LB-TS 19
LB-TSD 19
LB-WG 31
LB-WG1 33
LB-WGD 32
LB-WGD1 34

LB-WGS 32
LB-WGS1 34
LB-X 42
LB-XC 43
LB-XD 42
LB-YC 17
LB-YCD 17
LB-YCS 18
LB-YCT 18
LC02UC 81
LC02UH2 81
LC02US/LC10US 80
LC03PE 79
LC03WL 77
LC05EL 81
LC05HW 78
LC05KH 78
LC05KW 78
LC05PC 77
LC05PD 77
LC05RW 78
LC05SB 79
LC05SC 79
LC05SR 78
LC05UG 80
LC05WC 79
LC05WF 79
LD-E 75
LD-K 75
LD-KN 75
LD-R 76
LD-RE 76
LD-S 75
LD-TW 76
LE-B 90
LE-PW 90
LE01STT 84
LE02PA 86
LE03CMT 84
LE03NK 83
LE03PB 85
LE03PC 85

LE03SV 83
LE03WV 83
LE05CE 85
LE05WA1 83
LE07CP 85
LF-CH 72
LF-HA 72
LH-CS 63
LH-E 64
LH-GYC 63
LH-SG 67
LH-W 65
LH-WJ 66
LJ-H/HW 55
LK-E/EK 62
LK-EA 58
LK-GV 56
LK-GVS 56
LK-HC 58
LK-KU 61
LK-LV 60
LK-LVS 60
LK-M 62
LK-PT 61
LK-TS 57
LK-TSR 62
LK-U 61
LK-WG 59
LK-WGS 59
LK-WL 59
LK-YC 57
LK-YCS 57
LM-D/DB 38
LM-DH/DHB 38
LM-LV 30
LM-LW 24
LM-MV 27
LM-PT 37
LM-TS 20
LM-YC 18
LN-ALK 68
LN-AR1 71

LN-AS 69
LN-KH 73
LN-M1S 69
LN-M2S 70
LN-ML 70
LN-RE 71
LN-SM 68
LN-SX 73
LN-Z 74
LN-ZR 74
LT-K 64
LT-TG 64
LZ05DLW 82

W

WB-DA2 52
WB-DAH1 52
WB-H 51
WB-HS 51
WB-S1 48
WE-DA1 90
WZ-CO 82
WZ-SI/WZ05NI 82

Other

1QiBD-E 90
3BR NR06/3BR NR08 ... 87
5BS AABL 87

Use this index / 各項目說明

Material 材質
Available Material : 材質

POM : Polyacetal **T-POM** : High Grade Polyacetal **PA** : Polyamide
PC : Polycarbonate **TPE** : Thermo Plastic Elastomer **PP** : Polypropylene
ABS : Acrylonitrile Butadiene Styrene **PBT** : Polybutylene Terephthalate

Item 產品
Item code 品名
Item photo 產品照片
Logo/Print Available 可刻印 / 可印刷

Buckle 旁開扣

LB-GV Side-Release 旁開扣 POM

Single Adjuster

- The unique spring design provides higher durability and soft release feature.
- The center cut-out socket and beveled edge design provides light weight feature.
- YKK's vertical engagement system provides higher tensile strength.
- 獨特的彈力設計，使閉合更加滑順並提升耐用度。
- 輕量化造型。
- YKK 獨特公母扣卡榫專利扣合設計。

CODE	SIZE	A	B	C	D
LB16GV	16mm	17	23	40	9
LB20GV	20mm	21	28	47	10
LB25GV	25mm	26	34	56	12
LB38GV	38mm	39	47	67	14

Spec 規格
*Dimensional information is for reference only.
*尺寸僅供參考用。

Dimensional drawing 圖示表

Size variation scale 1/2 尺寸表

Material presentation / 材質說明

- Polyacetal (POM)** — POM, a crystalline thermoplastic resin, is YKK's main raw material. POM has a unique combination of properties that bridges the gap between metals and ordinary plastics with stiffness, hardness, dimensional stability, toughness, fatigue resistance, solvent and fuel resistance, abrasion resistance, low wear and low friction. POM is recommended for high performance applications in a wide range of environmental conditions. The recommended short-term range of operating temperature is -40C to 130C (-40F to 270F).
- Tough-Polyacetal (T-POM)** — T-POM is an impact modified polyacetal resin. T-POM maintains excellent tensile strength, stiffness, hardness, dimensional stability, chemical resistance, as well as improved impact strength. This material can bridge the gap between ordinary POM and PA resin.
- Polyamide (PA)** — PA is a crystalline thermoplastic polyamide resin, which has good tensile strength, chemical resistance, stiffness and flexibility. On the other hand, PA readily absorbs moisture. Its properties will vary as humidity changes. The tensile strength will be lower and the impact strength will be higher with higher moisture absorption.
- Polycarbonate (PC)** — PC is a thermoplastic resin with good transparency. PC is tough, with good dimensional stability, and excels other engineering plastics in impact strength. But PC is inferior in chemical resistance to acids, alkalis and organic solvents in particular. PC is recommended for applications that require strength and transparency. The recommended short-term range of operating temperature is -40C to 130C (-40F to 270F).
- Thermo plastic elastomer (TPE)** — TPE is a thermoplastic elastomer that has a block interpolymerization structure comprising soft segments and hard segments, which create flexibility and elasticity in the same molecule chain. TPE provides good flexibility at low temperatures, toughness, excellent impact strength, and good strength at high temperatures. The recommended short-term range of operating temperature is -40C to 150C (-40F to 300F).
- Polypropylene (PP)** — PP is a thermoplastic resin with good chemical resistance. Lighter than most polymers, it will float on water. PP has a lower tensile strength and can contract to some degree after injection molding. Its recommended temperature range is -35C to 65C (-30F to 150F).
- Acrylonitrile Butadiene Styrene (ABS)** — ABS is a thermoplastic resin co-polymerized from acrylonitrile, butadiene, and styrene. It has good transparency and chemical resistance. It has good stiffness and toughness. The recommended range of operating temperature is -40C to 70C (-40F to 160F).
- Polybutylene terephthalate (PBT)** — PBT Resin (polybutylene terephthalate) is a thermally engineered plastic which is mainly composed of terephthalic acid and butylene glycol. These plastic parts feature superior anti-abrasion and wear resistance characteristics, and offer superior dimensional stability. Outstanding chemical resistance. Good electrical properties. Weakness for strong acid and strong alkali. Melting temperature reaches to 225C(437F), high deflection temperature. The recommended range of operating temperature is -20C to 160C (-4F to 320F).



LB-GV

Side-Release 旁開扣

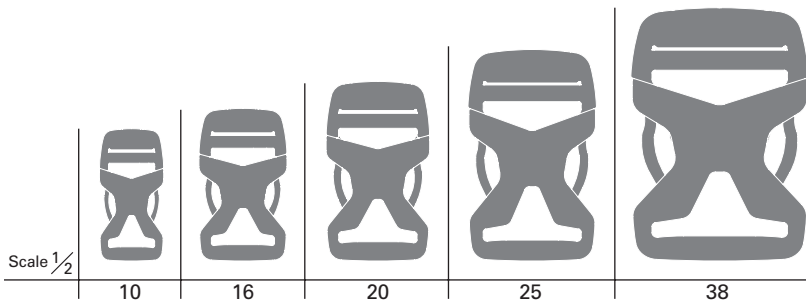
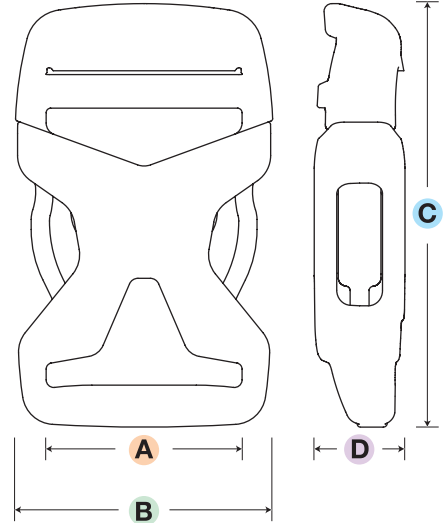
POM

Single Adjuster

- The unique spring design provides higher durability and soft release feature.
- The center cut-out socket and beveled edge design provides light weight feature.
- YKK's vertical engagement system provides higher tensile strength.

- 獨特的彈力設計，使開合更加滑順並提升耐用度。
- 輕量化造型。
- YKK 獨特公母扣卡榫專利扣合設計。

CODE	SIZE	A	B	C	D
LB10GV	10mm	10	17	35	8
LB16GV	16mm	17	23	40	9
LB20GV	20mm	21	28	47	10
LB25GV	25mm	26	34	56	12
LB38GV	38mm	39	47	67	14



Scale 1/2

10

16

20

25

38



LB-GVD

Side-Release 旁開扣

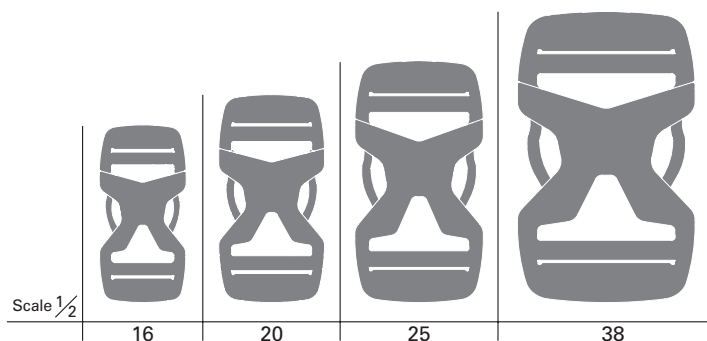
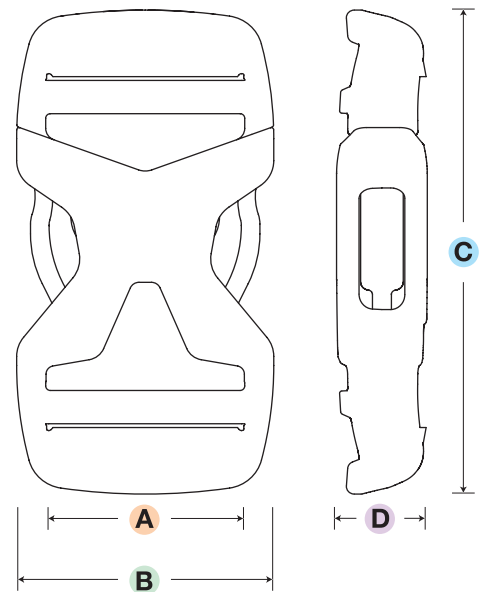
POM

Dual Adjuster

- The unique spring design provides higher durability and soft release feature.
- The center cut-out socket and beveled edge design provides light weight feature.
- YKK's vertical engagement system provides higher tensile strength.

- Dual adjustment.
- 獨特的彈力設計，使開合更加滑順並提升耐用度。
- 輕量化造型。
- 兩側皆可調整織帶。

CODE	SIZE	A	B	C	D
LB16GVD	16mm	17	23	47	9
LB20GVD	20mm	21	28	55	10
LB25GVD	25mm	26	34	64	12
LB38GVD	38mm	39	47	77	14



Scale 1/2

16

20

25

38



LB-GVS

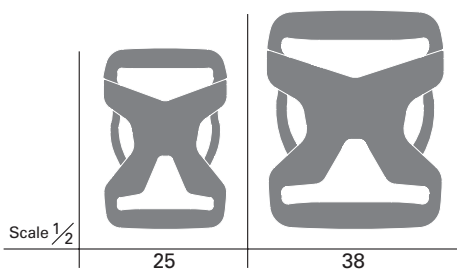
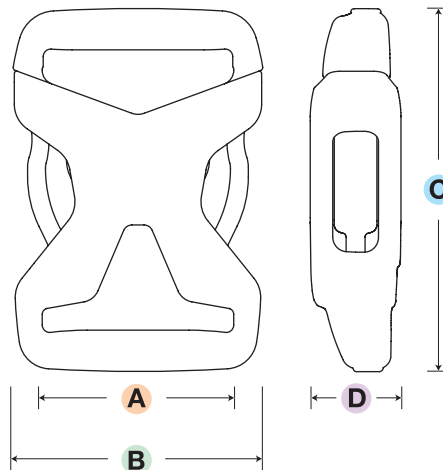
Side-Release 旁開扣

POM

Non Adjustable

- The unique spring design provides higher durability and soft release feature.
- The center cut-out socket and beveled edge design provides light weight feature.
- YKK's vertical engagement system provides higher tensile strength.
- Single bar, non-adjustment.
- 獨特的彈力設計，使開合更加滑順並提升耐用度。
- 輕量化造型。
- 公母扣織帶免調整設計。

CODE	SIZE	A	B	C	D
LB25GVS	25mm	26	33	48	12
LB38GVS	38mm	39	47	58	14



Buckle 旁開扣



LB-GP

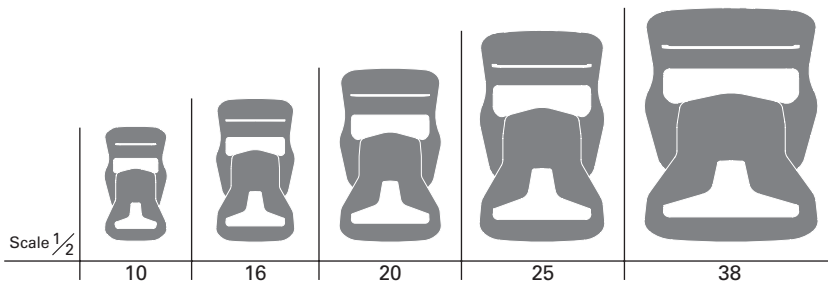
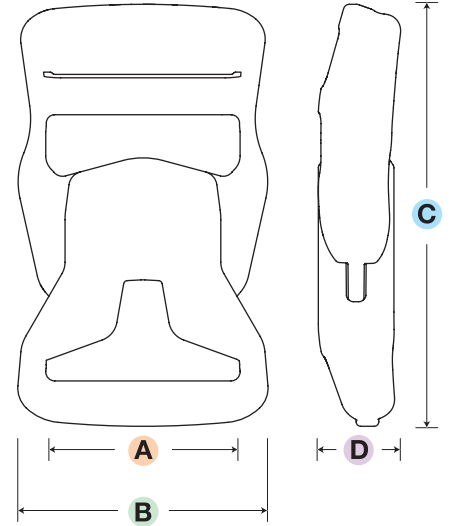
Side-Release 旁開扣

POM

Single Adjuster Break Resistant

- Unique center bar and connecting arm provides higher impact resistance and breakage resistance.
- New side shape curved design fits shape of finger, which enables easy adjustment.
- Glove friendly and easy release.
- 耐衝擊高強度款式。
- 母扣導角開放式設計，使扣合功能更順暢。
- 戴手套也可輕易操作。

CODE	SIZE	A	B	C	D
LB10GP	10mm	11	16	30	7
LB16GP	16mm	16	21	38	8
LB20GP	20mm	21	27	46	9
LB25GP	25mm	25	33	56	11
LB38GP	38mm	39	46	62	12



Scale 1/2

10

16

20

25

38

LB-GPD

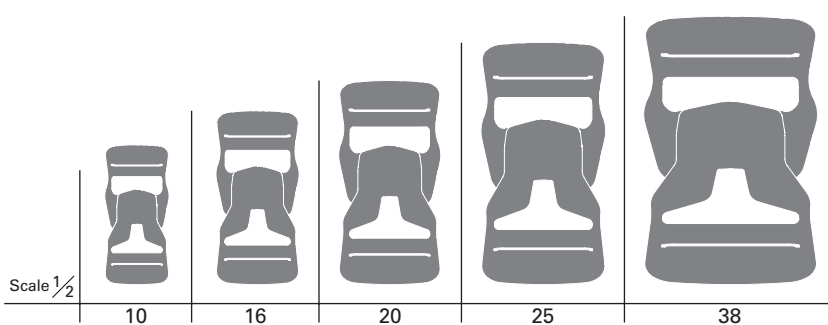
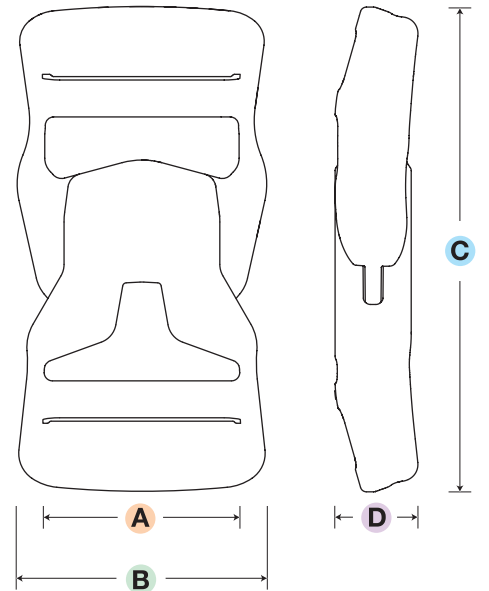
Side-Release 旁開扣

POM

Dual Adjuster Break Resistant

- Unique center bar and connecting arm provides higher impact resistance and breakage resistance.
- New side shape curved design fits shape of finger, which enables easy adjustment.
- Glove friendly and easy release.
- Dual adjustment.
- 耐衝擊高強度款式。
- 母扣導角開放式設計，使扣合功能更順暢。
- 戴手套也可輕易操作。
- 兩側皆可調整織帶。

CODE	SIZE	A	B	C	D
LB10GPD	10mm	11	17	37	7
LB16GPD	16mm	17	22	46	8
LB20GPD	20mm	21	27	54	9
LB25GPD	25mm	25	33	64	11
LB38GPD	38mm	39	46	71	12



Scale 1/2

10

16

20

25

38

Buckle 旁開扣



LB-GPS

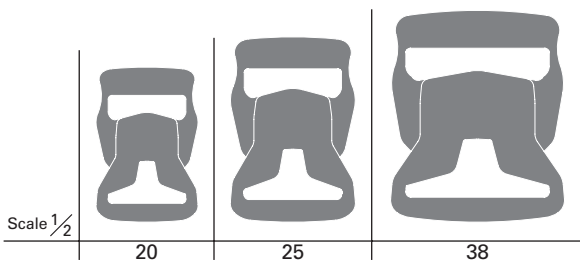
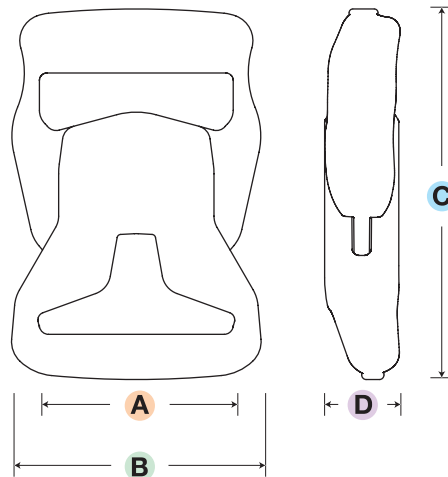
Side-Release 旁開扣

POM

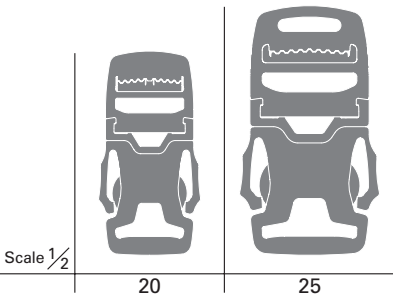
Non Adjustable Break Resistant

- Unique center bar and connecting arm provides higher impact resistance and breakage resistance.
- New side shape curved design fits shape of finger, which enables easy adjustment.
- Glove friendly and easy release.
- Single bar, non-adjustment.
- 耐衝擊高強度款式。
- 母扣導角開放式設計，使扣合功能更順暢。
- 戴手套也可輕易操作。
- 公母扣織帶免調整設計。

CODE	SIZE	A	B	C	D
LB20GPS	20mm	21	27	41	9
LB25GPS	25mm	26	33	49	10
LB38GPS	38mm	39	46	56	12



Flapped Buckle



LB-SSC

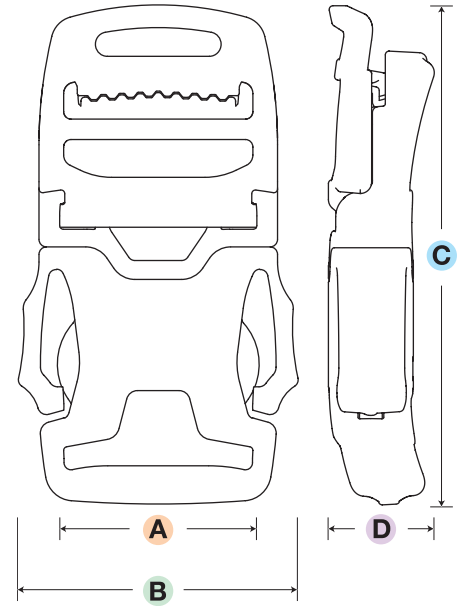
Side-Release 旁開扣

POM

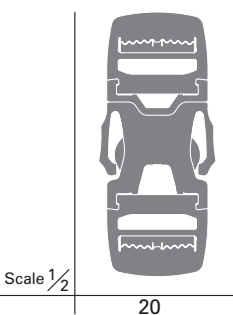
Single Adjuster

- Glove friendly and easy release.
- New cam design holds webbing tightly and reduces webbing slippage.
- Innovative cam release in one simple motion.
- 按壓面積加大，展現更佳的操作性。
- 單手調整織帶鬆緊。

CODE	SIZE	A	B	C	D
LB20SSC	20mm	20	31	54	12
LB25SSC	25mm	26	37	66	14



Flapped Buckle



LB-SSWC

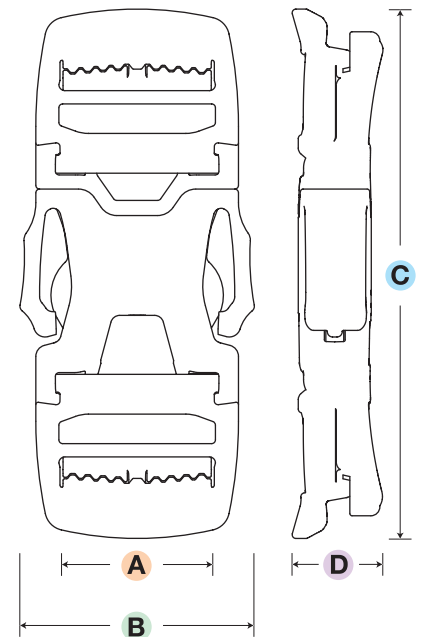
Side-Release 旁開扣

POM

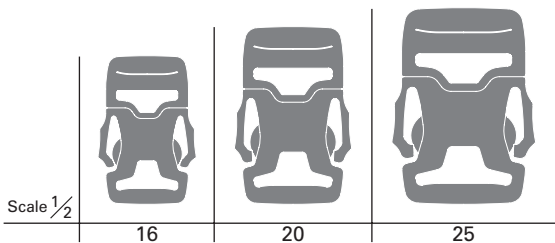
Dual Adjuster

- Glove friendly and easy release.
- New cam design holds webbing tightly and reduces webbing slippage.
- Innovative cam release in one simple motion.
- Dual adjustment.
- 按壓面積加大，展現更佳的操作性。
- 單手調整織帶鬆緊。
- 兩側皆可調整織帶。

CODE	SIZE	A	B	C	D
LB20SSWC	20mm	20	31	70	12



Buckle 旁開扣



LB-SS

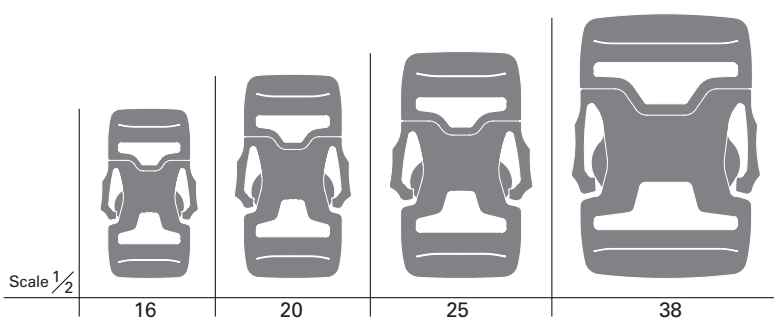
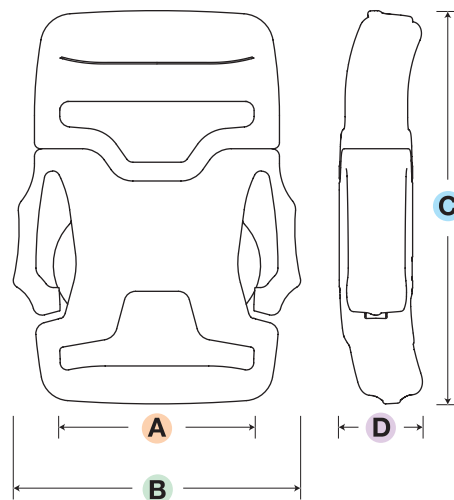
Side-Release 旁開扣

POM

Single Adjuster

- Glove friendly and easy release.
- 按壓面積加大，展現更佳的操作性。

CODE	SIZE	A	B	C	D
LB16SS	16mm	16	26	39	8
LB20SS	20mm	21	31	47	12
LB25SS	25mm	26	38	52	11



LB-SSD

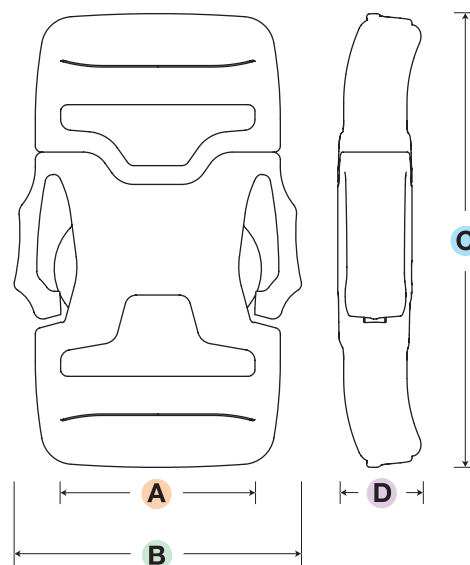
Side-Release 旁開扣

POM

Dual Adjuster

- Glove friendly and easy release.
- Dual adjustment.
- 按壓面積加大，展現更佳的操作性。
- 兩側皆可調整織帶。

CODE	SIZE	A	B	C	D
LB16SSD	16mm	16	26	45	8
LB20SSD	20mm	21	31	54	10
LB25SSD	25mm	26	38	60	11
LB38SSD	38mm	39	50	70	12





LB-SSS

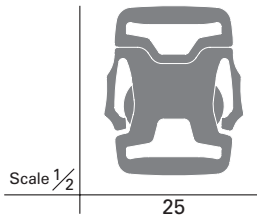
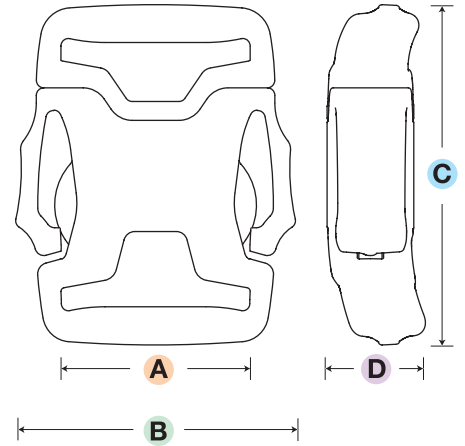
Side-Release 旁開扣

POM

Non Adjustable

- Glove friendly and easy release.
- Single bar, non-adjustment.
- 按壓面積加大，展現更佳的操作性。
- 公母扣織帶免調整設計。

CODE	SIZE	A	B	C	D
LB25SSS	25mm	26	37	45	13





LB-CV

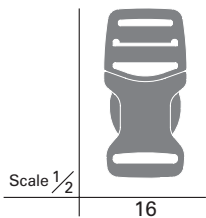
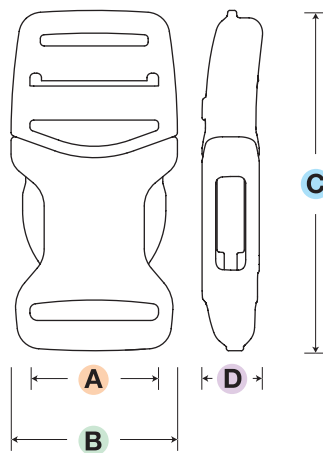
Side-Release 旁開扣

POM

Single Adjuster

- Multi purpose standard side release buckle.
- 外型美觀。

CODE	SIZE	A	B	C	D
LB16CV	16mm	17	22	45	8



Sharpn' Loc®



LB-YC

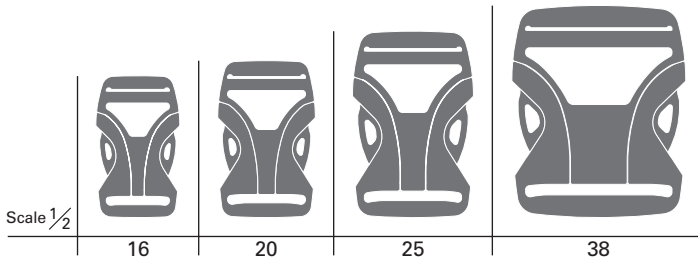
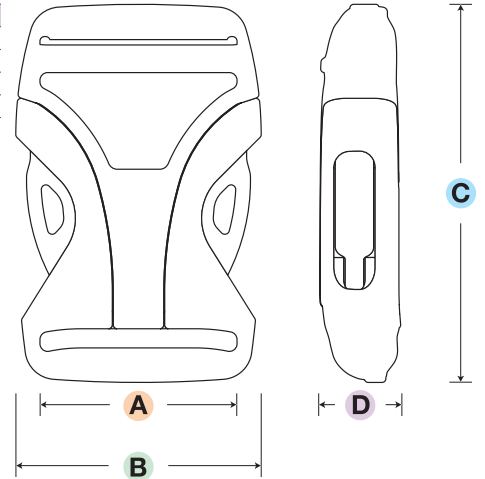
Side-Release 旁開扣

POM

Single Adjuster

- The large angular center cut allows for a smooth insertion of the plug and for easy removal of debris including dirt or snow.
- Smooth release feature.
- Compact and light weight.
- Various color combinations available.
- 母扣導角加大開口設計，公 / 母扣滑順好開啟。
- 且污垢不易卡住。
- 輕量化設計。
- 可各種顏色組合。

CODE	SIZE	A	B	C	D
LB16YC	16mm	17	22	38	8
LB20YC	20mm	20	26	42	9
LB25YC	25mm	26	32	50	11
LB38YC	38mm	38	46	55	11



Sharpn' Loc®



LB-YCD

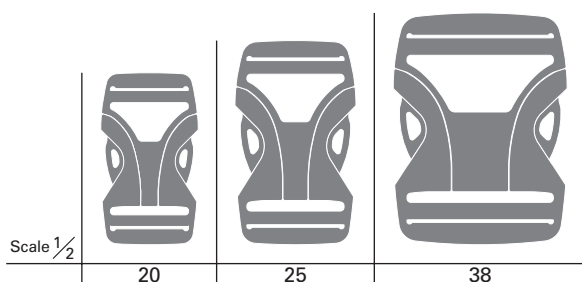
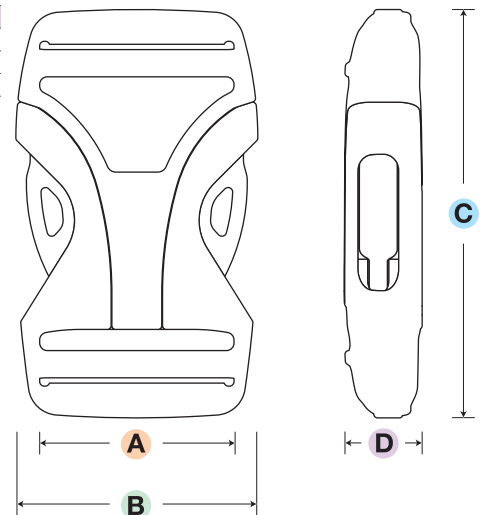
Side-Release 旁開扣

POM

Dual Adjuster

- The large angular center cut allows for a smooth insertion of the plug and for easy removal of debris including dirt or snow.
- Smooth release feature.
- Compact and light weight.
- Various color combinations available.
- Dual adjustment.
- 母扣導角加大開口設計，公 / 母扣滑順好開啟。
- 且污垢不易卡住。
- 輕量化設計。
- 可各種顏色組合。
- 兩側皆可調整織帶。

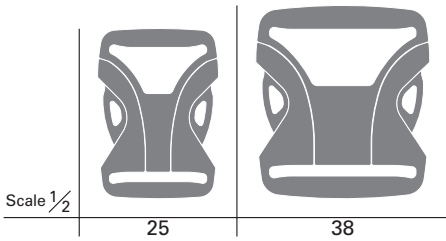
CODE	SIZE	A	B	C	D
LB20YCD	20mm	21	26	46	9
LB25YCD	25mm	26	32	54	10
LB38YCD	38mm	39	46	61	11



Sharp' Loc®



Logo



LB-YCS

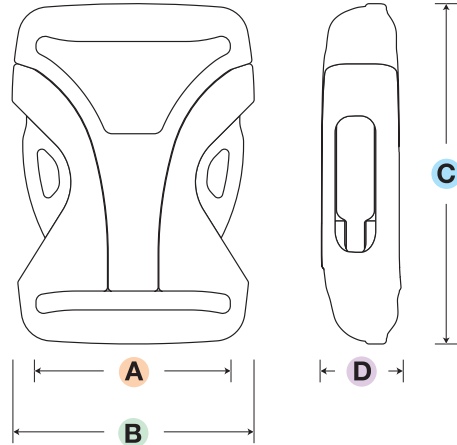
Side-Release 旁開扣

POM

Non Adjustable

- The large angular center cut allows for a smooth insertion of the plug and for easy removal of debris including dirt or snow.
- Smooth release feature.
- Compact and light weight.
- Various color combinations available.
- Single bar, non-adjustment.
- 母扣導角加大開口設計，公 / 母扣滑順好開啟。
- 且污垢不易卡住。
- 輕量化設計。
- 可各種顏色組合。
- 公母扣織帶免調整設計。

CODE	SIZE	A	B	C	D
LB25YCS	25mm	26	32	45	11
LB38YCS	38mm	38	46	50	11



Sharp' Loc®



Logo

LB-YCT

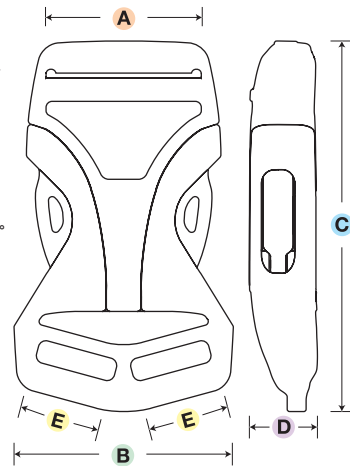
Side-Release 旁開扣

POM

Single Adjuster

- The large angular center cut allows for a smooth insertion of the plug and for easy removal of debris including dirt or snow.
- Smooth release feature.
- Compact and light weight.
- Various color combinations available.
- 20mm side release buckle with a 10mm strap divider.
- 母扣導角加大開口設計，公 / 母扣滑順好開啟。
- 且污垢不易卡住。
- 輕量化設計。
- 可各種顏色組合。
- 單邊 20mm 織帶寬，搭配另一端分別兩條 10mm 織帶組合。

CODE	SIZE	A	B	C	D	E
LB20YCT	20mm	21	29	49	9	11



Sharp' Loc®



Logo

LM-YC

Side-Release 旁開扣

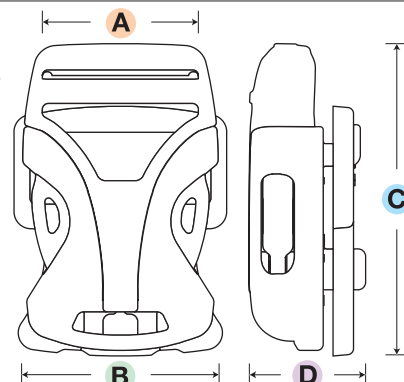
POM

Single Adjuster

Pouch Clip

- The large angular center cut allows for a smooth insertion of the plug and for easy removal of debris including dirt or snow.
- Smooth release feature.
- Compact and light weight.
- Various color combinations available.
- Pouch-Clip.
- 母扣導角加大開口設計，公 / 母扣滑順好開啟。
- 且污垢不易卡住。
- 輕量化設計。
- 可各種顏色組合。
- 旁開壓鎖扣。

CODE	SIZE	A	B	C	D
LM20YC	20mm	20	26	41	15



LM-YC Plate

2 Way Release



LB-TS

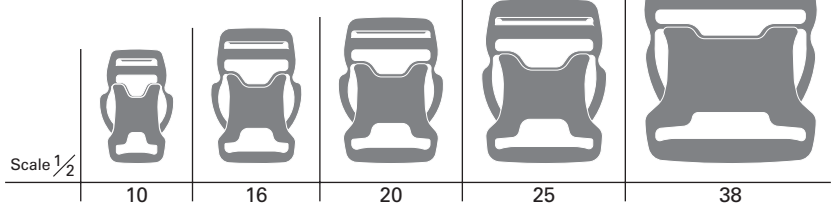
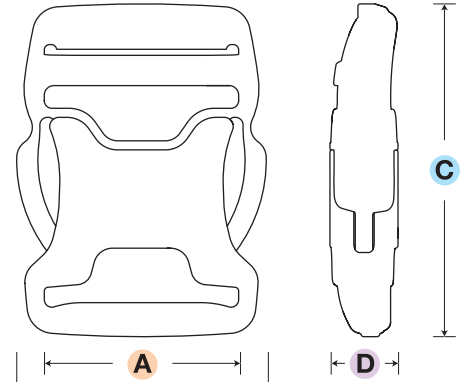
Side-Release 旁開扣

POM

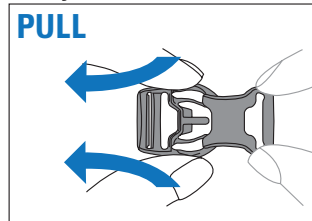
Single Adjuster

- Low profile, light weight and compact.
- 2-way release design allows for either a PUSH or PULL operation.
- 輕薄俐落外型。
- 可推 / 拉，兩向開啟設計。

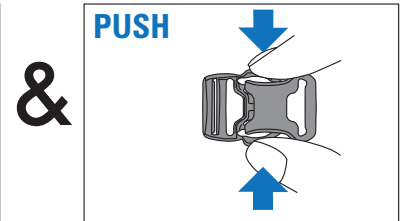
CODE	SIZE	A	B	C	D
LB10TS	10mm	11	20	31	7
LB16TS	16mm	17	24	36	8
LB20TS	20mm	21	28	39	8
LB25TS	25mm	26	33	44	9
LB38TS	38mm	39	45	54	10



2-way release buckle Easy to release especially with small size buckle! Even with bulky gloves on!



Because of the large side levers and the unique plug shape, you can pull and unbuckle with ease.



The plug can be released with just a little push.

2 Way Release



LB-TSD

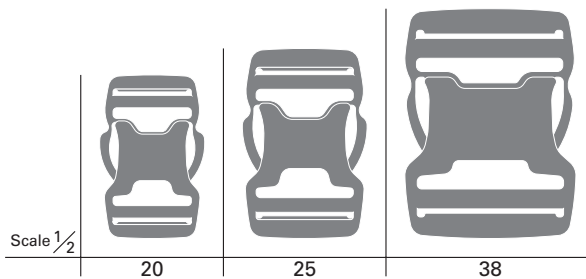
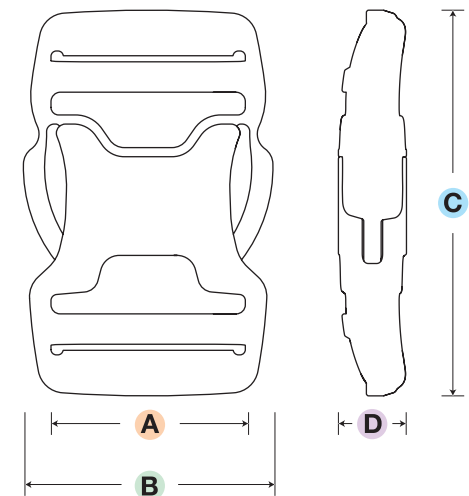
Side-Release 旁開扣

POM

Dual Adjuster

- Low profile, light weight and compact.
- 2-way release design allows for either a PUSH or PULL operation.
- Dual adjustment.
- 輕薄俐落外型。
- 可推 / 拉，兩向開啟設計。
- 兩側皆可調整織帶。

CODE	SIZE	A	B	C	D
LB20TSD	20mm	21	28	44	8
LB25TSD	25mm	26	33	51	9
LB38TSD	38mm	39	45	61	10



Buckle 旁開扣

2 Way Release



LM-TS

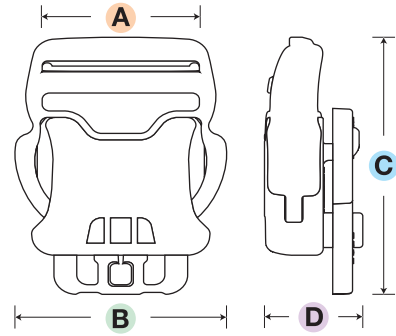
Side-Release 旁開扣

POM

Single Adjuster Pouch Clip

- Low profile, light weight and compact.
- 2-way release design allows for either a PUSH or PULL operation.
- Pouch-Clip.
- 輕薄俐落外型。
- 可推 / 拉，兩向開啟設計。
- 旁開壓鎖扣。

CODE	SIZE	A	B	C	D
LM20TS	20mm	21	28	34	13



LM-TS Plate

Flapped Buckle



LB-RT

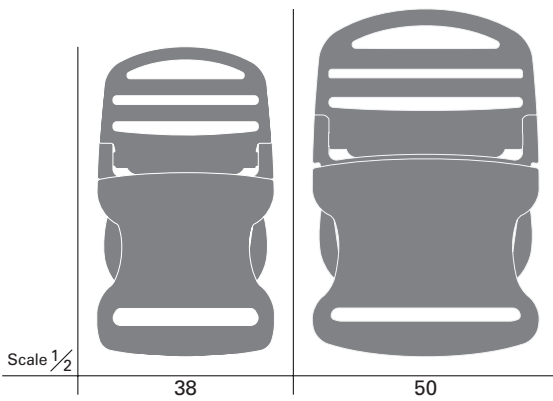
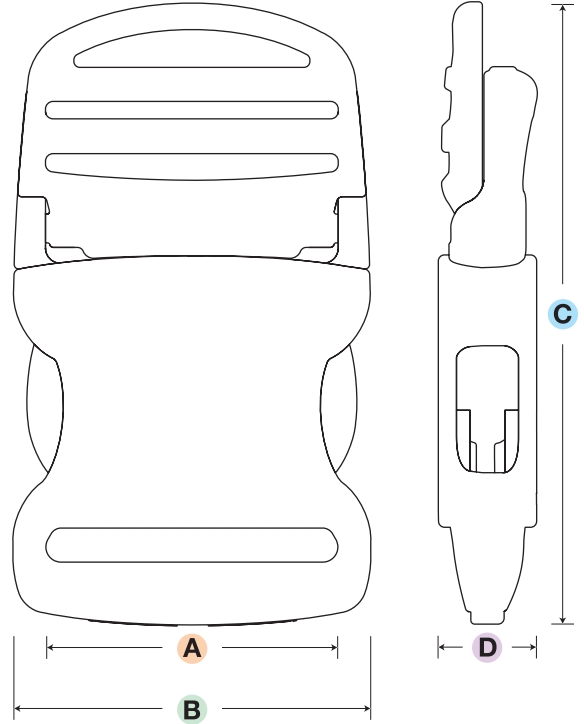
Side-Release 旁開扣

POM

Single Adjuster

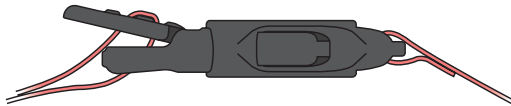
- One handed tape operation to tighten or loosen.
- Locking design greatly reduces webbing slippage.
- 調整織帶鬆緊，單手操作設計。
- 卡鎖設計，避免織帶滑動。

CODE	SIZE	A	B	C	D
LB38RT	38mm	38	47	82	13
LB50RT	50mm	50	60	92	15



2 ways to use

A type: Secure and Locked



How to use ▶ To loosen the strap, raise the flap and pull the buckle.

- Webbing stays securely locked in place until the flap is released.

B type: Quick Releasing



How to use ▶ To loosen the strap, simply angle the buckle.

- Can be used with most webbing, regardless of thickness.

Buckle 旁開扣

UL Approved



LB-MP

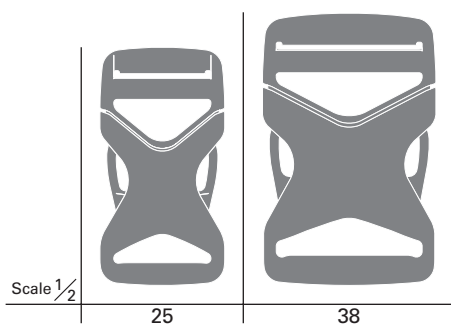
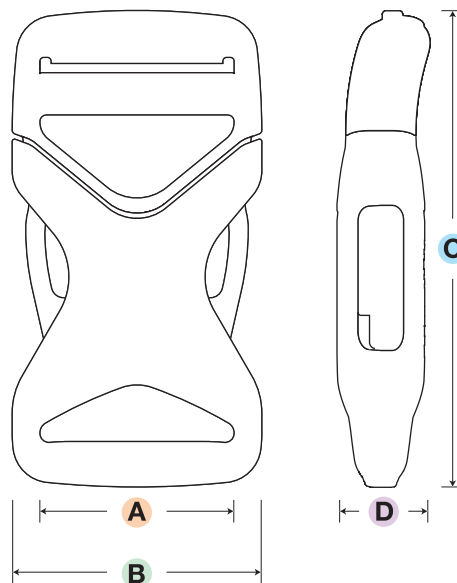
Side-Release 旁開扣

POM

Single Adjuster

- UL Certified (Type2, 2F, 3, 3F, 4H, 5H, 5R and 5WV).
- Ideal for use in personal flotation devices (PFD).
- Streamline, compact and light weight design .
- 通過 UL 規格 (Type2, 2F, 3, 3F, 4H, 5H, 5R, 5WV) 之認證。
- 適合 PFD(Personal Flotation Device) 之用途。
- 外觀流線設計。
- 輕薄俐落外型。
- 輕量化設計。

CODE	SIZE	A	B	C	D
LB25MP	25mm	26	33	63	12
LB38MP	38mm	39	46	72	13



Scale 1/2

Rotatable



LB-EQ

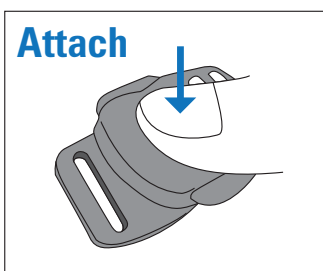
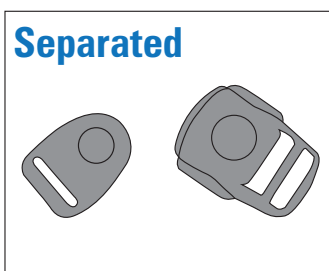
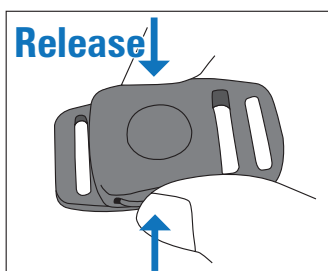
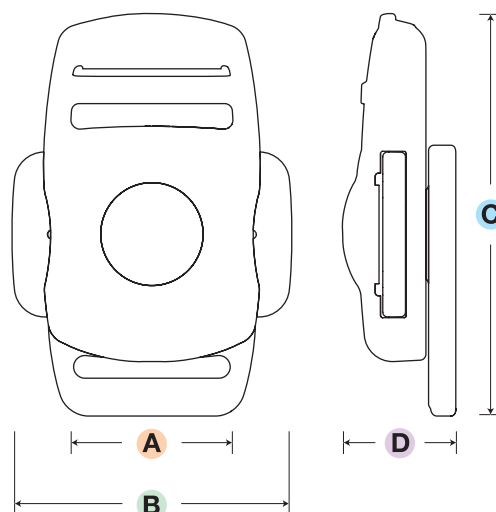
Side-Release 旁開扣

POM

Single Adjuster

- Quick release, single handed operation and horizontal engagement.
- Ideal for use in messenger bags with cross strap and/or front closure application.
- 公母扣垂直開啟設計：可單手操作並快速開啟。
- 適用於斜背包 / 郵差包及一般前開式設計的袋類使用。

CODE	SIZE	A	B	C	D
LB20EQ	20mm	21	36	53	15



Ultra-Lightweight



LB-LW

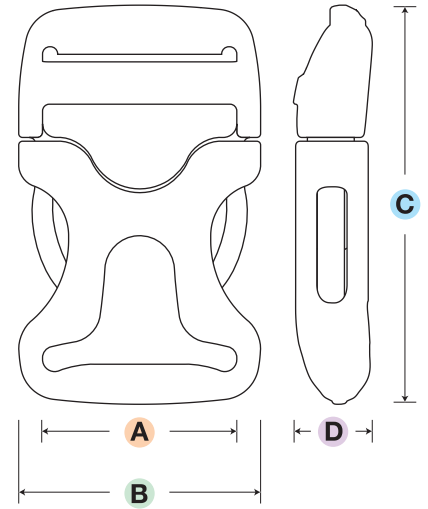
Side-Release 旁開扣

POM

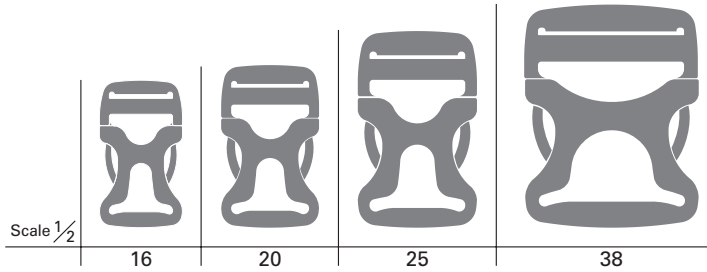
Single Adjuster Break Resistant

- Ultra-Lightweight.
- Flexible socket provides durability and resistance to breakage.
- Smooth insertion and release feature.
- YKK 超輕量化扣具，兼具強度與輕量特點。
- 母扣獨特造型設計確保耐久性與強度需求。
- 公扣橫桿設計，預防公扣斷裂。
- YKK 獨特公母扣卡榫專利扣合設計。

CODE	SIZE	A	B	C	D
LB16LW	16mm	17	22	39	8
LB20LW	20mm	21	26	43	9
LB25LW	25mm	26	32	52	10
LB38LW	38mm	39	46	59	11



LB25LW Plug



Ultra-Lightweight



LB-LWD

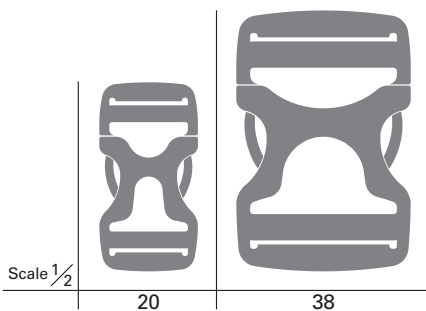
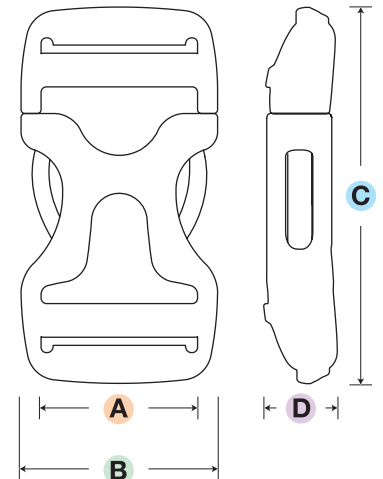
Side-Release 旁開扣

POM

Dual Adjuster Break Resistant

- Ultra-Lightweight.
- Flexible socket provides durability and resistance to breakage.
- Smooth insertion and release feature.
- Dual adjustment.
- YKK 超輕量化扣具，兼具強度與輕量特點。
- 母扣獨特造型設計確保耐久性與強度需求。
- 公扣橫桿設計，預防公扣斷裂。
- YKK 獨特公母扣卡榫專利扣合設計。
- 兩側皆可調整織帶。

CODE	SIZE	A	B	C	D
LB20LWD	20mm	21	26	50	9
LB38LWD	38mm	39	46	69	11



Ultra-Lightweight



LB-LWS

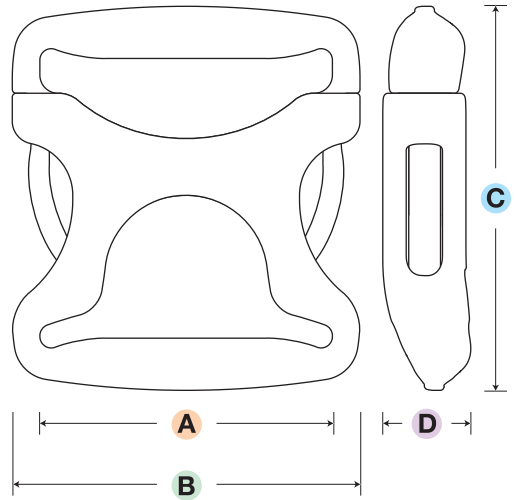
Side-Release 旁開扣

POM

Non Adjustable Break Resistant

- Ultra-Lightweight.
- Flexible socket provides durability and resistance to breakage.
- Smooth insertion and release feature.
- Single bar, non-adjustment.
- YKK 超輕量化扣具，兼具強度與輕量特點。
- 母扣獨特造型設計確保耐久性及強度需求。
- 公扣橫桿設計，預防公扣斷裂。
- YKK 獨特公母扣卡榫專利扣合設計。
- 公母扣織帶免調整設計。

CODE	SIZE	A	B	C	D
LB38LWS	38mm	39	46	51	11



Ultra-Lightweight



LB-LWH

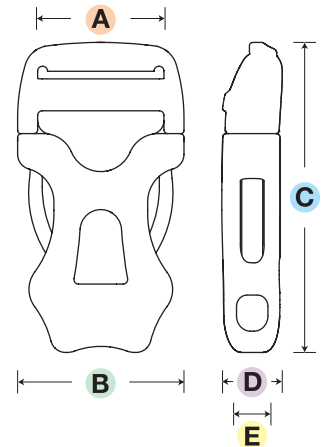
Side-Release 旁開扣

POM

Single Adjuster Break Resistant

- Ultra-lightweight buckle for using with cords.
- Flexible socket provides durability and resistance to breakage.
- Smooth insertion and release feature.
- Can use family products of Ultra-lightweight (LB-LW) series.
- 極輕量化且可穿繩孔設計扣具。
- 母扣獨特造型設計確保耐久性及強度需求。
- 公扣橫桿設計，預防公扣斷裂。
- 可搭配 LB-LW 系列使用。

CODE	SIZE	A	B	C	D	E
LB16LWH	16mm	17	22	41	8	5



Ultra-Lightweight



LM-LW

Side-Release 旁開扣

POM

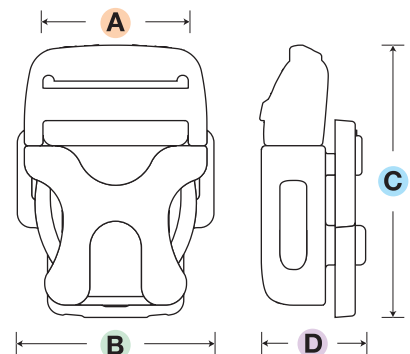
Single Adjuster Pouch Clip Break Resistant

- Ultra-Lightweight.
- Flexible socket provides durability and resistance to breakage.
- Smooth insertion and release feature.
- Pouch-Clip.
- YKK 超輕量化扣具，兼具強度與輕量特點。
- 母扣獨特造型設計確保耐久性及強度需求。
- 公扣橫桿設計，預防公扣斷裂。
- YKK 獨特公母扣卡榫專利扣合設計。
- 旁開壓鎖扣。

CODE	SIZE	A	B	C	D
LM20LW	20mm	21	26	36	14



LM-LW Plate



Buckle 旁開扣



LB-MV

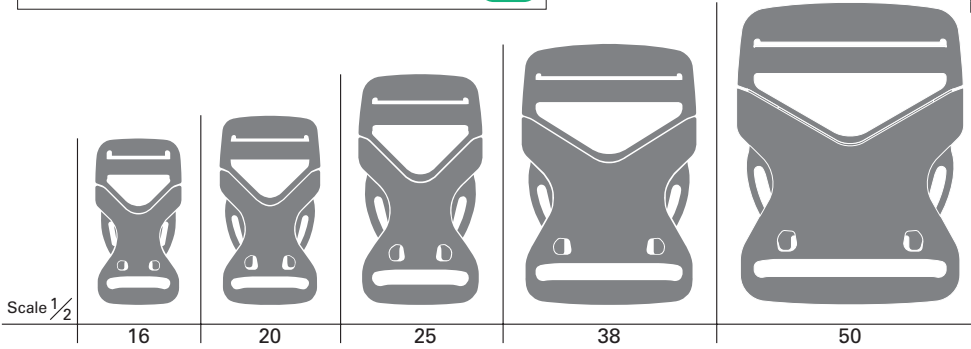
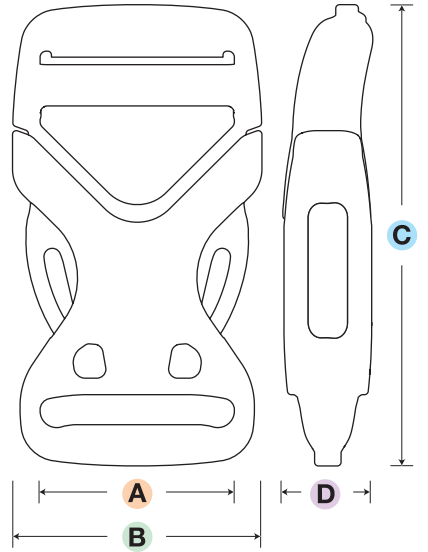
Side-Release 旁開扣

POM

Single Adjuster Break Resistant

- Connecting arm reinforcement provides break resistance.
- Easy adjustment and reduced web slippage.
- 更輕量更堅固設計。
- 無縫隙接合。

CODE	SIZE	A	B	C	D
LB16MV	16mm	17	23	44	8
LB20MV	20mm	21	27	50	10
LB25MV	25mm	26	33	61	12
LB38MV	38mm	39	46	69	13
LB50MV	50mm	51	60	80	15



LB25MV Plug



LB-MVD

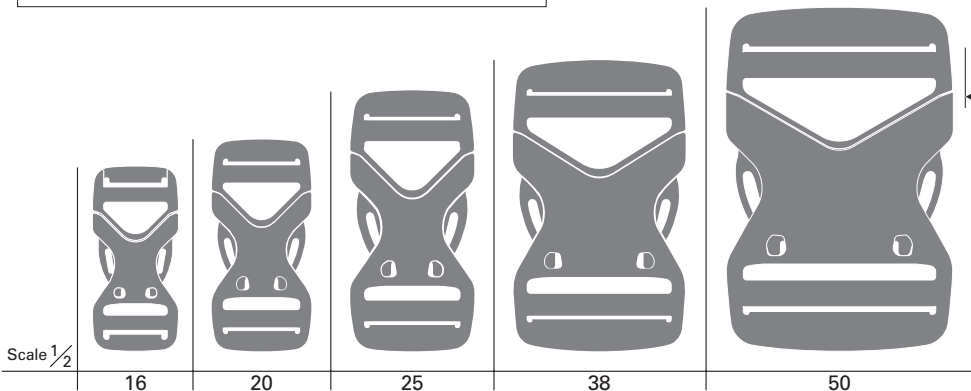
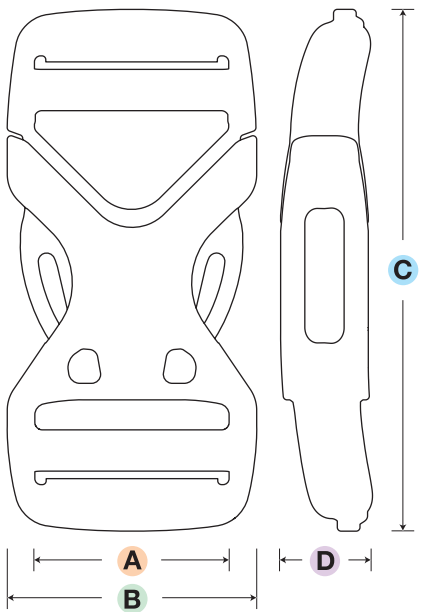
Side-Release 旁開扣

POM

Dual Adjuster Break Resistant

- Connecting arm reinforcement provides break resistance.
- Easy adjustment and reduced web slippage.
- Dual adjustment.
- 更輕量更堅固設計。
- 無縫隙接合。
- 兩側皆可調整織帶。

CODE	SIZE	A	B	C	D
LB16MVD	16mm	17	23	49	8
LB20MVD	20mm	21	27	56	10
LB25MVD	25mm	26	33	69	12
LB38MVD	38mm	39	46	77	13
LB50MVD	50mm	51	61	91	15





LB-MVS

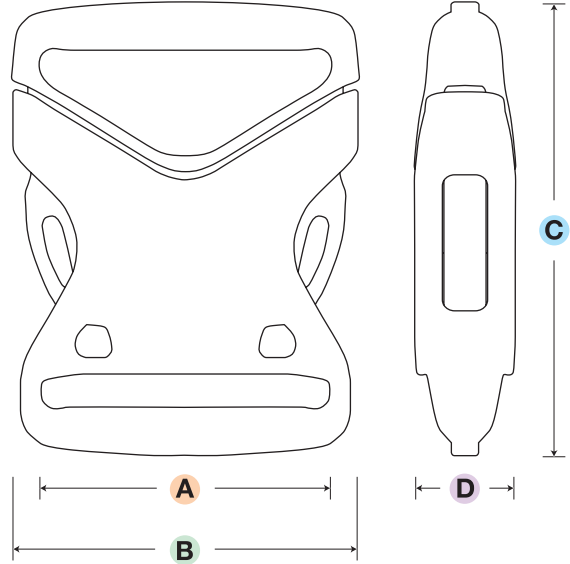
Side-Release 旁開扣

POM

Non Adjustable Break Resistant

- Connecting arm reinforcement provides break resistance.
- Easy adjustment and reduced web slippage.
- Single bar, non-adjustment.
- 更輕量更堅固設計。
- 無縫隙接合。
- 公母扣織帶免調整設計。

CODE	SIZE	A	B	C	D
LB38MVS	38mm	39	46	60	13





Logo



LB16MVW

LB-MVW

Side-Release 旁開扣

POM

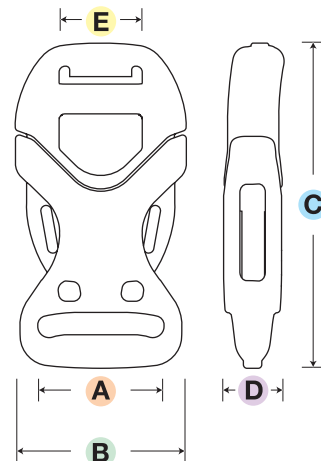
Single Adjuster

Twin size

Break Resistant

- Connecting arm reinforcement provides break resistance.
- Easy adjustment and reduced web slippage.
- Combine two different tape widths (Plug:10mm and Socket:16mm).
- 更輕量更堅固設計。
- 無縫隙接合。
- 公母扣上下分別使用 2 種不同織帶 (10mm/16mm)。

CODE	SIZE	A	B	C	D	E
LB16MVW	16mm	17	23	43	8	11



Logo



LM20MV Plate

LM-MV

Side-Release 旁開扣

POM

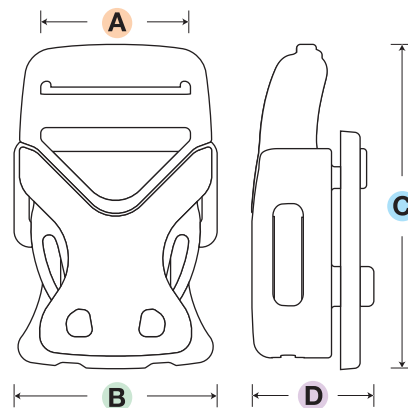
Single Adjuster

Pouch Clip

Break Resistant

- Connecting arm reinforcement provides break resistance.
- Easy adjustment and reduced web slippage.
- Pouch-Clip.
- 更輕量更堅固設計。
- 無縫隙接合。
- 旁開壓鎖扣。

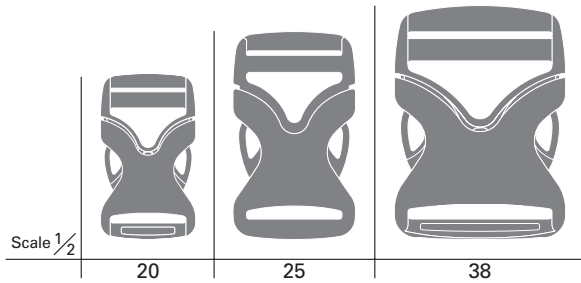
CODE	SIZE	A	B	C	D
LM20MV	20mm	21	27	43	17



Buckle 旁開扣



Logo



LB-HE

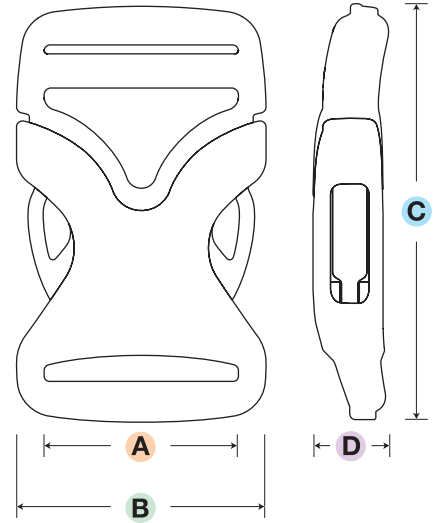
Side-Release 旁開扣

POM

Single Adjuster

- Double leg design reduces leg breakage.
- 強化公扣前端設計，防止斷裂。

CODE	SIZE	A	B	C	D
LB20HE	20mm	21	26	44	9
LB25HE	25mm	26	33	55	10
LB38HE	38mm	39	46	62	11



LB-HED

Side-Release 旁開扣

POM

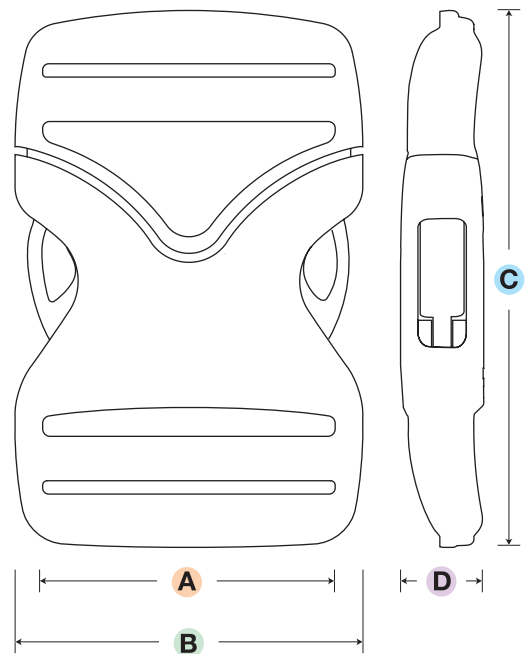
Dual Adjuster

- Double leg design reduces leg breakage.
- Dual adjustment.
- 強化公扣前端設計，防止斷裂。
- 雙調整織帶。
- 兩側皆可調整織帶。

CODE	SIZE	A	B	C	D
LB38HED	38mm	39	46	71	11



Logo



Lightweight



LB-LV

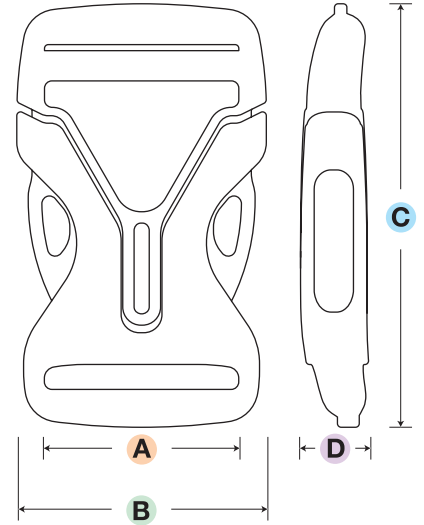
Side-Release 旁開扣

POM

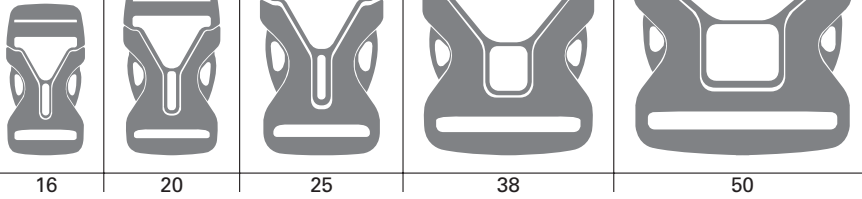
Single Adjuster

- Lightweight design.
- V shape design allows for smooth and easy plug insertion.
- Easy adjustment and reduced web slippage.
- 超輕量化的設計理念。
- 新款“V”造型，使開合更加滑順。

CODE	SIZE	A	B	C	D
LB16LV	16mm	17	21	40	8
LB20LV	20mm	21	26	46	8
LB25LV	25mm	26	33	56	9
LB38LV	38mm	39	46	61	11
LB50LV	50mm	51	59	66	13



Scale 1/2



Lightweight



LB-LVD

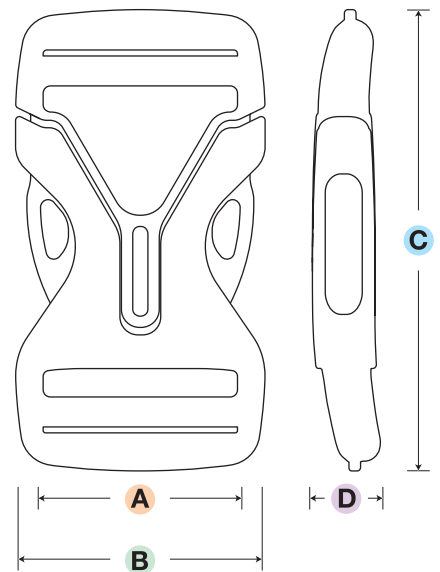
Side-Release 旁開扣

POM

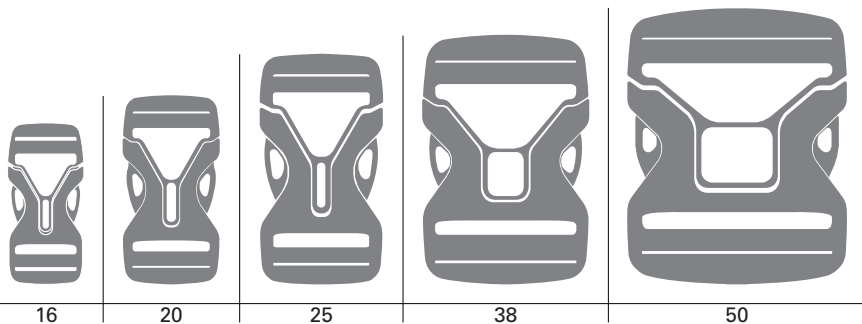
Dual Adjuster

- Lightweight design.
- V shape design allows for smooth and easy plug insertion.
- Easy adjustment and reduced web slippage.
- Dual adjustment.
- 超輕量化的設計理念。
- 新款“V”造型，使開合更加滑順。
- 兩側皆可調整織帶。

CODE	SIZE	A	B	C	D
LB16LVD	16mm	17	21	44	8
LB20LVD	20mm	21	26	50	8
LB25LVD	25mm	26	33	61	9
LB38LVD	38mm	39	46	68	11
LB50LVD	50mm	51	59	73	13



Scale 1/2



Lightweight



Logo

LB-LVS

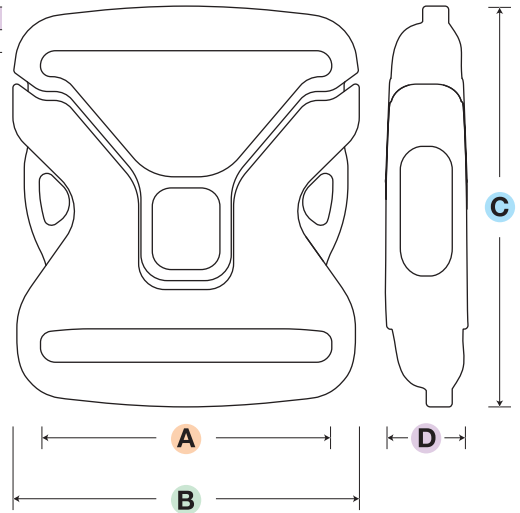
Side-Release 旁開扣

POM

Non Adjustable

- Lightweight design.
- V shape design allows for smooth and easy plug insertion.
- Easy adjustment and reduced web slippage.
- Single bar, non-adjustment.
- 超輕量化的設計理念。
- 新款“V”造型，使開合更加滑順。
- 公母扣織帶免調整設計。

CODE	SIZE	A	B	C	D
LB38LVS	38mm	39	46	53	11



Lightweight



Logo

LM-LV

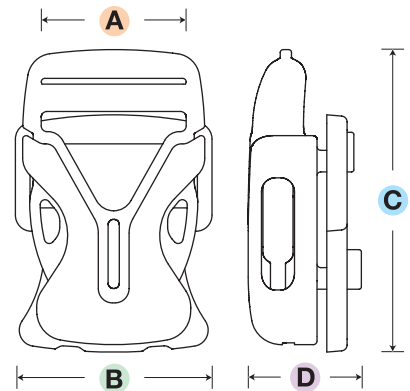
Side-Release 旁開扣

POM

Single Adjuster Pouch Clip

- Lightweight design.
- V shape design allows for smooth and easy plug insertion.
- Easy adjustment and reduced web slippage.
- Pouch-Clip.
- 超輕量化的設計理念。
- 新款“V”造型，使開合更加滑順。
- 旁開壓鎖扣。

CODE	SIZE	A	B	C	D
LM20LV	20mm	21	26	40	15



LM20LV Plate

SHOCKONLOC®



LB-WG

Side-Release 旁開扣

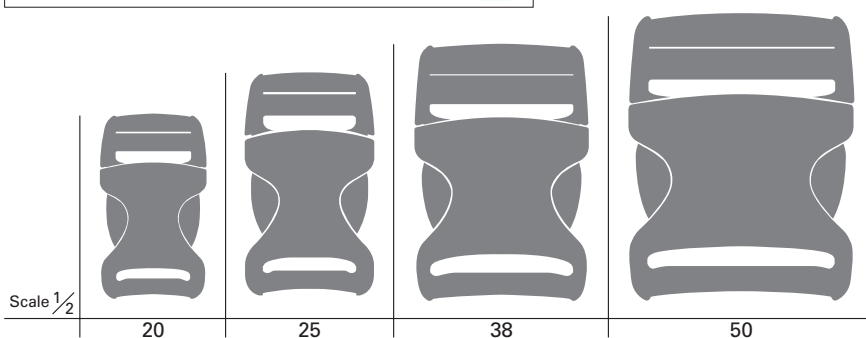
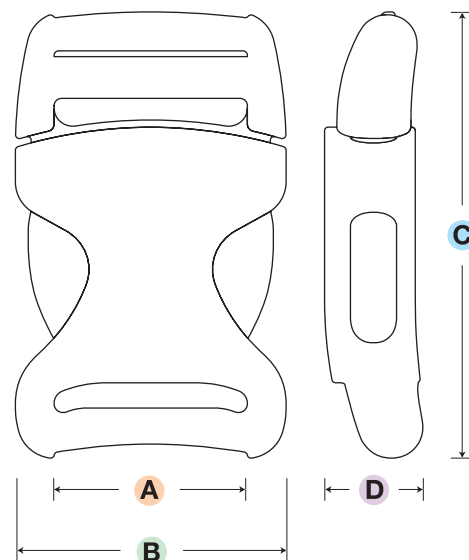
T-POM

Single Adjuster

- High-grade polyacetal combined with YKK's unique design significantly increases strength and impact resistance.
 - SHOCKONLOC® resists water absorption often caused by high humidity.
 - Product can endure extreme temperatures such as cold mountain top and / or desert heat.
 - Impact absorbing design.
 - Surface finish and material differ from LB-WG1 series.
- *Please do not combine with LB-WG1 series.

- 使用特殊強化的 T-POM 材質，增加耐衝擊性。
- 禁得起酷寒及酷熱等惡劣環境的考驗。

CODE	SIZE	A	B	C	D
LB20WG	20mm	21	29	49	10
LB25WG	25mm	25	36	59	13
LB38WG	38mm	38	47	68	15
LB50WG	50mm	50	61	76	16



SHOCKONLOC®



Logo

LB-WGD

Side-Release 旁開扣

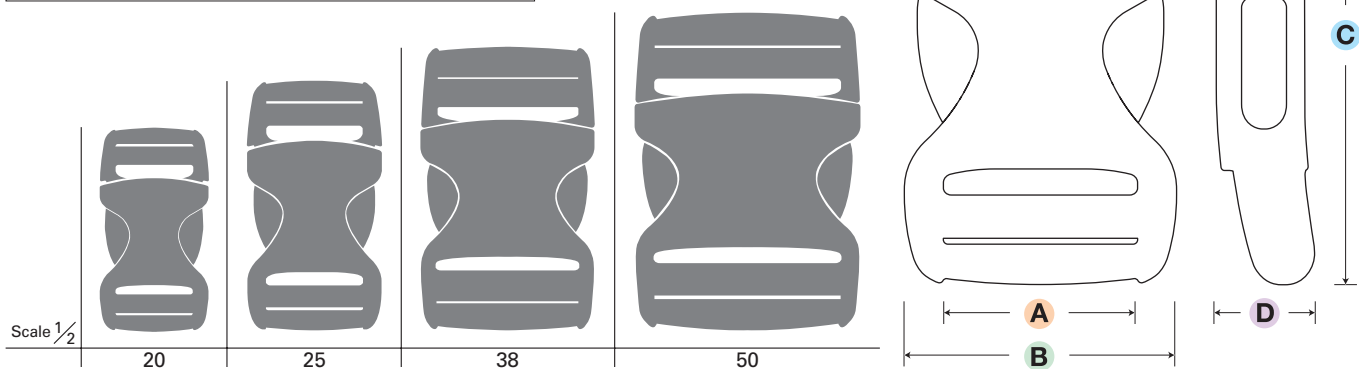
T-POM

Dual Adjuster

- High-grade polyacetal combined with YKK's unique design significantly increases strength and impact resistance.
 - SHOCKONLOC® resists water absorption often caused by high humidity.
 - Product can endure extreme temperatures such as cold mountain top and / or desert heat.
 - Impact absorbing design.
 - Surface finish and material differ from LB-WG1 series.
 - Dual adjustment.
- *Please do not combine with LB-WG1 series.

- 使用特殊強化的 T-POM 材質，增加耐衝擊性。
- 禁得起酷寒及酷熱等惡劣環境的考驗。
- 兩側皆可調整織帶。

CODE	SIZE	A	B	C	D
LB20WGD	20mm	21	29	54	10
LB25WGD	25mm	25	36	66	13
LB38WGD	38mm	38	47	75	15
LB50WGD	50mm	50	61	84	16



Scale 1/2

20

25

38

50

SHOCKONLOC®



Logo

LB-WGS

Side-Release 旁開扣

T-POM

Non Adjustable

- High-grade polyacetal combined with YKK's unique design significantly increases strength and impact resistance.
 - SHOCKONLOC® resists water absorption often caused by high humidity.
 - Product can endure extreme temperatures such as cold mountain top and / or desert heat.
 - Impact absorbing design.
 - Surface finish and material differ from LB-WG1 series.
 - Single bar, non-adjustment.
- *Please do not combine with LB-WG1 series.

- 使用特殊強化的 T-POM 材質，增加耐衝擊性。
- 禁得起酷寒及酷熱等惡劣環境的考驗。
- 公母扣織帶免調整設計。

CODE	SIZE	A	B	C	D
LB38WGS	38mm	39	47	61	15





LB-WG1

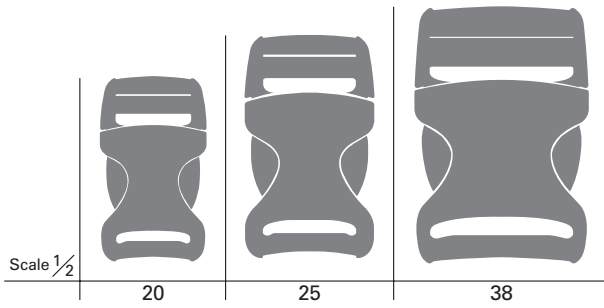
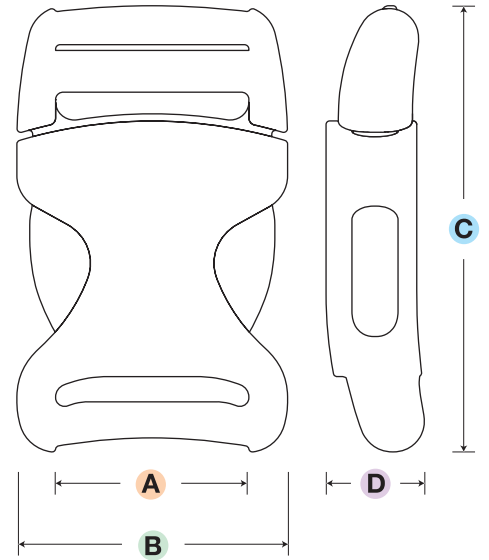
Side-Release 旁開扣

POM

Single Adjuster

- Surface finish and material differ from LB-WG series.
- *Please do not combine with LB-WG series.
- 材質 (POM) 及表面處理不同於 LB-WG 系列。

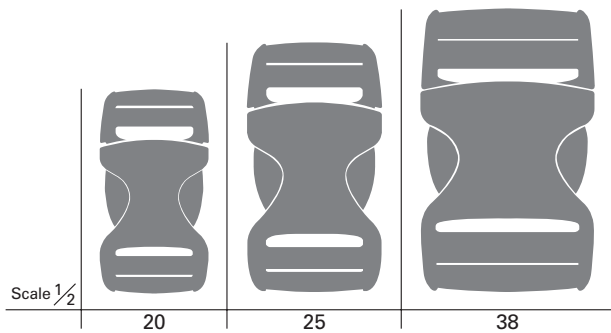
CODE	SIZE	A	B	C	D
LB20WG1	20mm	21	29	49	10
LB25WG1	25mm	25	36	59	13
LB38WG1	38mm	38	47	68	15



Buckle 旁開扣



Logo



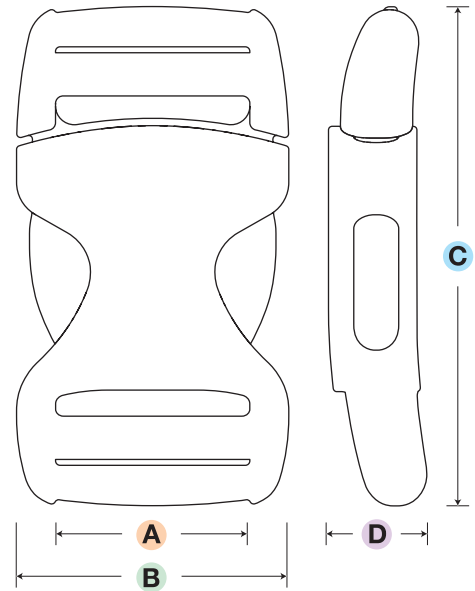
LB-WGD1 | Side-Release 旁開扣

POM

Dual Adjuster

- Surface finish and material differ from LB-WG series.
- Dual adjustment.
- *Please do not combine with LB-WG series.
- 材質 (POM) 及表面處理不同於 LB-WG 系列。
- 兩側皆可調整織帶。

CODE	SIZE	A	B	C	D
LB20WGD1	20mm	21	29	54	10
LB25WGD1	25mm	25	36	66	13
LB38WGD1	38mm	38	47	75	15



Logo

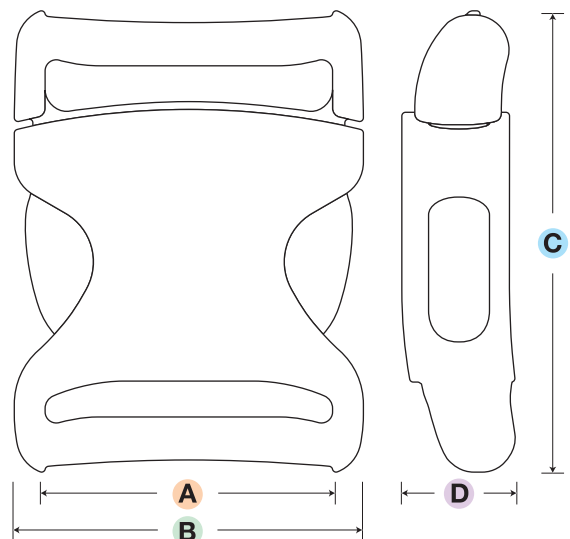
LB-WGS1 | Side-Release 旁開扣

POM

Non Adjustable

- Surface finish and material differ from LB-WG series.
- Single bar, non-adjustment.
- *Please do not combine with LB-WG series.
- 材質 (POM) 及表面處理不同於 LB-WG 系列。
- 公母扣織帶免調整設計。

CODE	SIZE	A	B	C	D
LB38WGS1	38mm	39	47	61	15



HAMMERLOC®



LB-PT

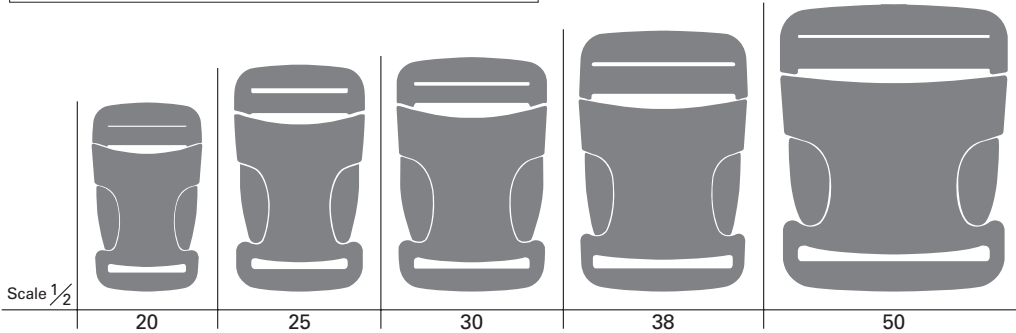
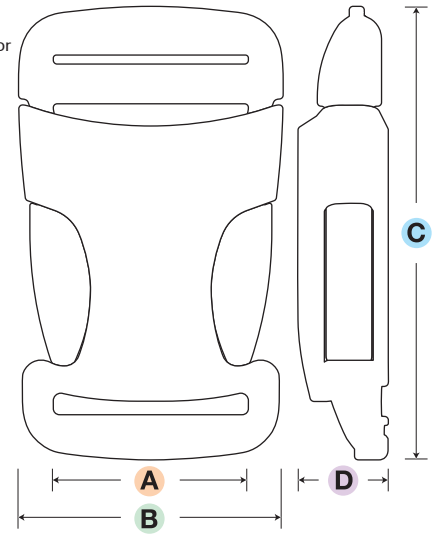
Side-Release 旁開扣

POM

Single Adjuster

- Highly streamlined design is ideal for outdoor use.
- A simple buckle with a smooth and easy release.
- An additional rib significantly increase this buckle's strength.
- 大型的開啟設計。實現了更佳之操作性。
- 增加護耳設計。提昇扣合強度。

CODE	SIZE	A	B	C	D
LB20PT	20mm	21	29	50	10
LB25PT	25mm	26	35	60	12
LB30PT	30mm	31	40	62	12
LB38PT	38mm	39	46	69	15
LB50PT	50mm	51	60	76	16



HAMMERLOC®



LB-PTD

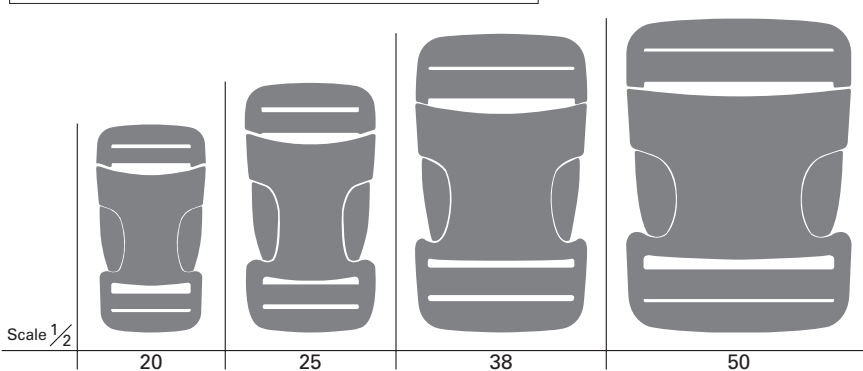
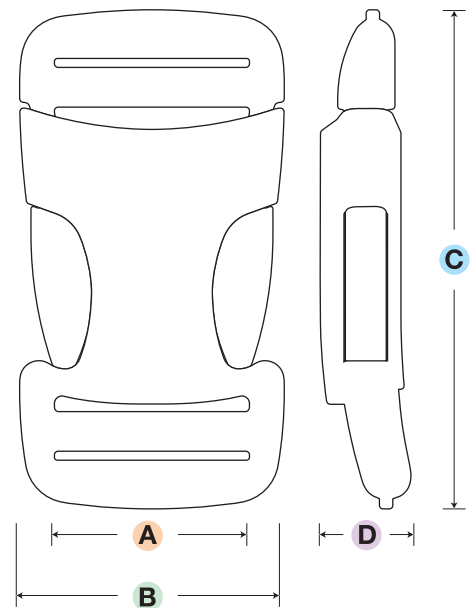
Side-Release 旁開扣

POM

Dual Adjuster

- Highly streamlined design is ideal for outdoor use.
- A simple buckle with a smooth and easy release.
- An additional rib significantly increase this buckle's strength.
- Dual adjustment.
- 大型的開啟設計。實現了更佳之操作性。
- 增加護耳設計。提昇扣合強度。
- 兩側皆可調整織帶。

CODE	SIZE	A	B	C	D
LB20PTD	20mm	21	29	55	10
LB25PTD	25mm	26	35	66	12
LB38PTD	38mm	39	46	79	15
LB50PTD	50mm	51	60	83	16



HAMMERLOC®



Logo

LB-PTS

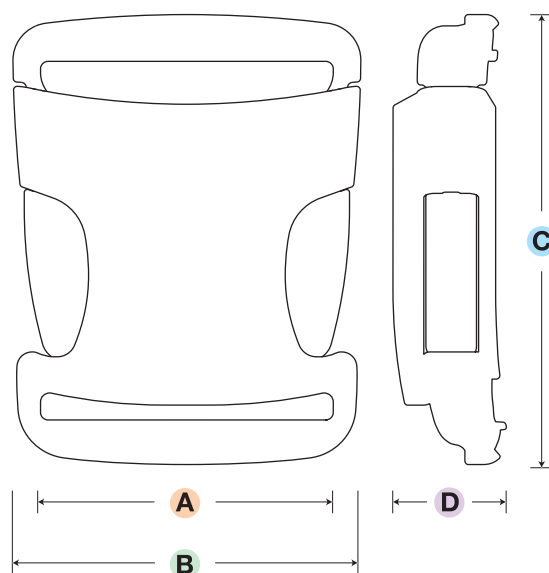
Side-Release 旁開扣

POM

Non Adjustable

- Highly streamlined design is ideal for outdoor use.
- A simple buckle with a smooth and easy release.
- An additional rib significantly increase this buckle's strength.
- Single bar, non-adjustment.
- 大型的開啟設計。實現了更佳之操作性。
- 增加護耳設計。提昇扣合強度。
- 公母扣織帶免調整設計。

CODE	SIZE	A	B	C	D
LB38PTS	38mm	39	46	60	15



HAMMERLOC®



Logo

LB-PTA

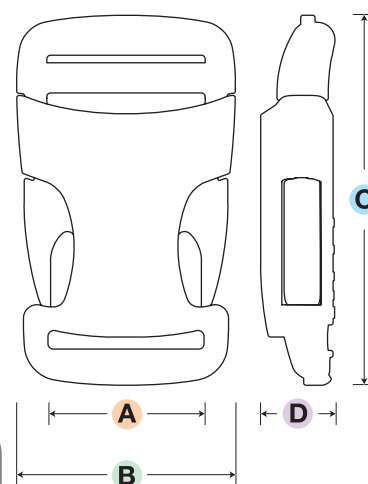
Side-Release 旁開扣

POM

Single Adjuster Break Resistant

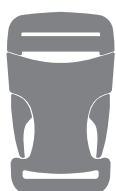
- Highly streamlined design is ideal for outdoor use.
- A simple buckle with a smooth and easy release.
- An additional rib significantly increase this buckle's strength.
- The connecting arm reinforcement prevents accidental breakage of the plug leg.
- 防止公扣斷裂。

CODE	SIZE	A	B	C	D
LB20PTA	20mm	21	29	49	10
LB38PTA	38mm	39	46	69	15
LB50PTA	50mm	51	60	76	16

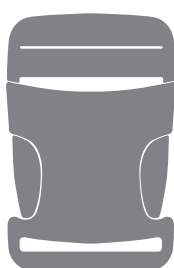


LB-PTA Plug

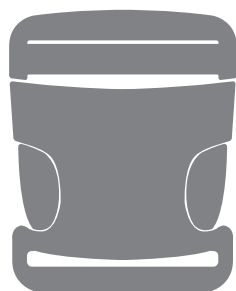
Scale 1/2



20



38



50

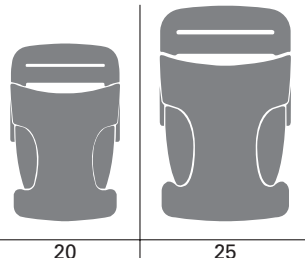
HAMMERLOC®



Logo



Scale 1/2



LM25PT Plate

LM-PT

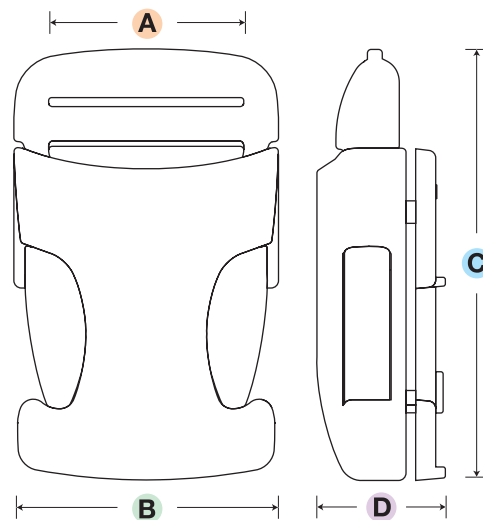
Side-Release 旁開扣

POM

Single Adjuster Pouch Clip

- Highly streamlined design is ideal for outdoor use.
- A simple buckle with a smooth and easy release.
- An additional rib significantly increase this buckle's strength.
- Pouch-Clip.
- 不需機器組裝的 HAMMERLOC® buckle。
- 只要在布面上打孔，即可駕輕就熟的使用。
- 旁開壓鎖扣。

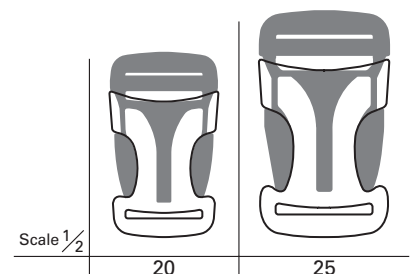
CODE	SIZE	A	B	C	D
LM20PT	20mm	21	29	47	15
LM25PT	25mm	26	35	57	17



HAMMERLOC®



Logo



LB-PTC

Side-Release 旁開扣

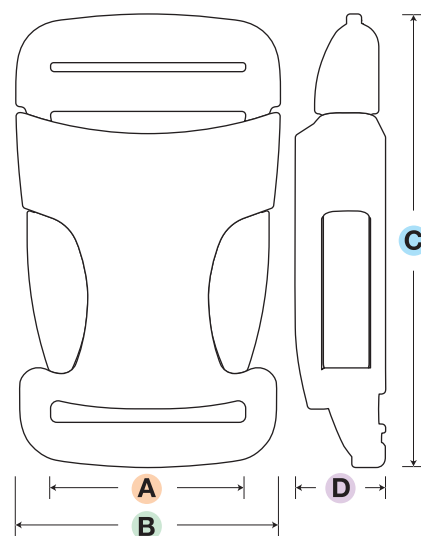
Plug: POM

Socket: PC

Single Adjuster

- Highly streamlined design is ideal for outdoor use.
- A simple buckle with a smooth and easy release.
- An additional rib significantly increase this buckle's strength.
- Transparent socket.
- 新款母扣透明材質的 HAMMERLOC® 系列。

CODE	SIZE	A	B	C	D
LB20PTC	20mm	21	29	49	10
LB25PTC	25mm	26	35	60	12



Buckle 旁開扣



Logo

LM-D / DB

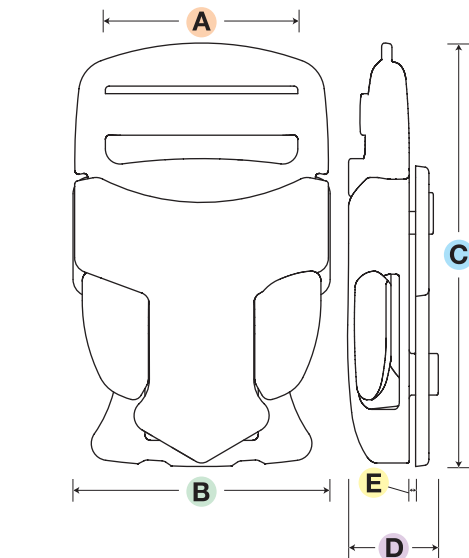
Side-Release 旁開扣

POM

Single Adjuster Pouch Clip

- Innovative oblique system provides easy operation as either side or push release.
- Does not require use of a special attaching machine.
- Pouch-Clip.
- YKK 新款“斜角設計扣合系統”按扣設計，使扣合功能更加順暢。
- 最簡潔設計。
- 易與布料連接。
- LM-D 適用薄布料，LM-DB 適用厚布料。

CODE	SIZE	A	B	C	D	E
LM20D	20mm	21	28	48	11	1
LM25D	25mm	26	34	56	12	1
LM20DB	20mm	21	28	48	11	2
LM25DB	25mm	26	34	56	12	2



LM-D/DB Plate

Scale 1/2



LM20D
LM20DB



LM25D
LM25DB



Logo

LM-DH / DHB

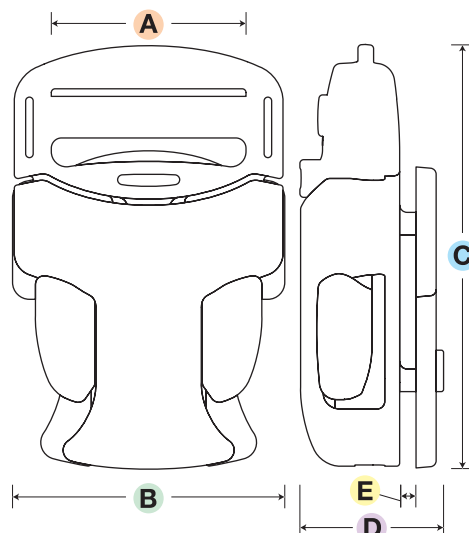
Side-Release 旁開扣

POM

Single Adjuster Pouch Clip

- Innovative oblique system provides easy operation as either side or push release.
- High strength and impact resistance.
- Does not require use of a special attaching machine.
- Pouch-Clip.
- YKK 獨特設計，加強堅固性及耐衝擊性。
- YKK 新款“斜角設計扣合系統”按扣設計，使扣合功能更加順暢。
- LM-DH 適用薄布料，LM-DHB 適用厚布料。

CODE	SIZE	A	B	C	D	E
LM25DH	25mm	26	36	56	19	1
LM25DHB	25mm	26	36	56	19	2



LM-DH/DHB Plate

Scale 1/2



LM25DH



LM25DHB



LB-R

Side-Release 旁開扣

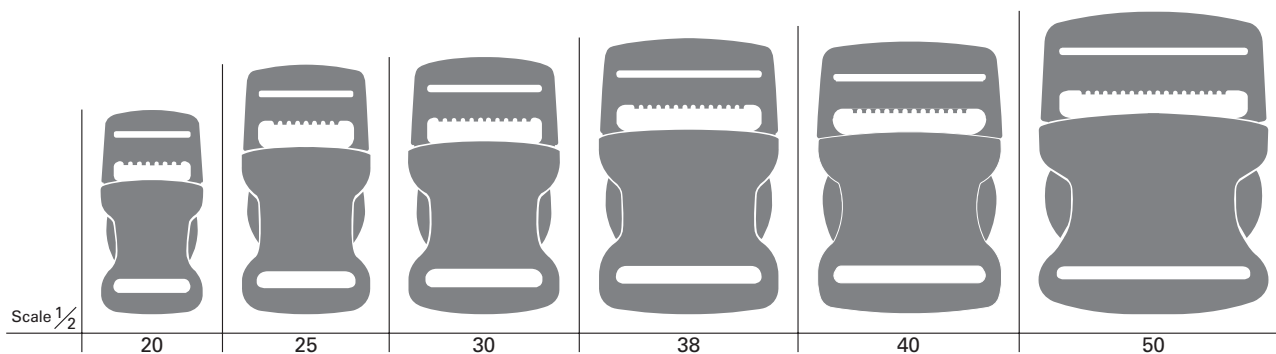
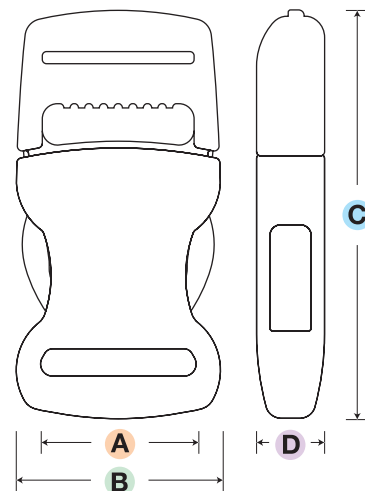
POM

Single Adjuster

- Multi purpose standard side release buckle.
- 外型美觀。

CODE	SIZE	A	B	C	D
LB20R	20mm	20	27	54	9
LB25R	25mm	26	34	66	11
LB30R	30mm	30	39	68	12
LB38R	38mm	38	47	73	13
LB40R	40mm	40	49	72	12
LB50R	50mm	50	60	80	15

• Optional item



Scale 1/2

20

25

30

38

40

50



LB-RD

Side-Release 旁開扣

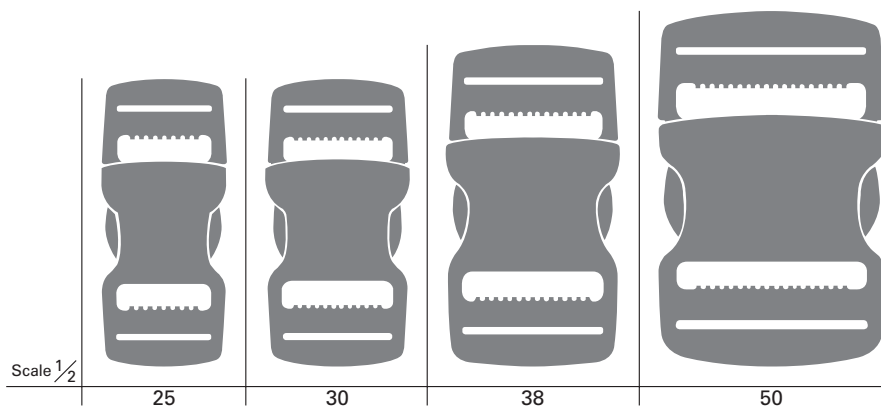
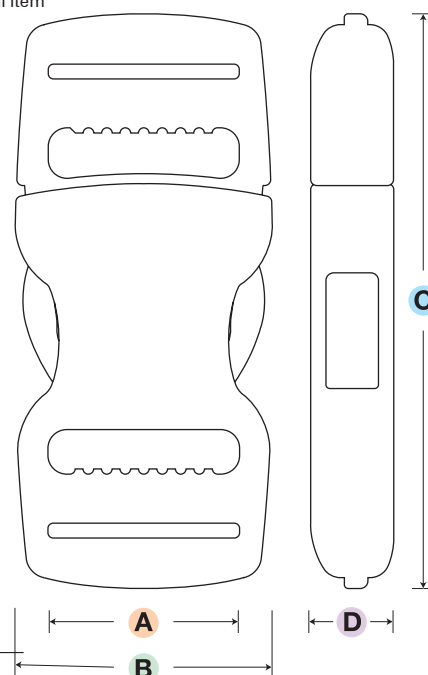
POM

Dual Adjuster

- Multi purpose standard side release buckle.
- Dual adjustment.
- 外型美觀。
- 兩側皆可調整織帶。

CODE	SIZE	A	B	C	D
LB25RD	25mm	25	34	76	11
LB30RD	30mm	30	41	76	12
LB38RD	38mm	38	47	85	13
LB50RD	50mm	50	60	94	14

• Optional item



Scale 1/2

25

30

38

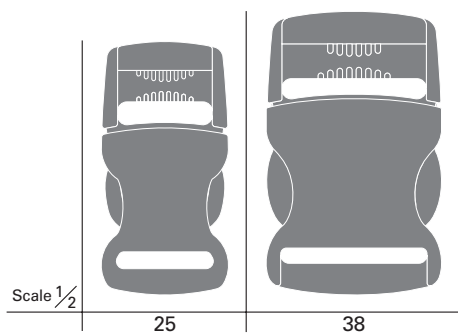
50

Buckle 旁開扣

UL Approved



Logo



LB-RP

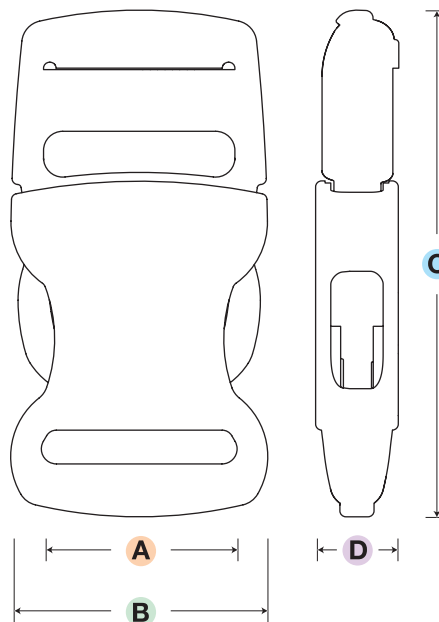
Side-Release 旁開扣

POM

Single Adjuster

- 25mm size is UL Certified (Type 2,3,4H and 5R).
- Ideal for use in personal flotation devices (PFD).
- 38mm size is UL Certified (Type 2,2F,3,3F,4H,5H,5R and 5WV).
- 25mm 通過 UL 規格 (Type 2,3,4H and 5R) 之認證。
- 適合 PFD (Personal Flotation Device) 之用途。
- 38mm 通過 UL 規格 (Type 2,2F,3,3F,4H,5H,5R and 5WV) 之認證。

CODE	SIZE	A	B	C	D
LB25RP	25mm	26	34	67	11
LB38RP	38mm	38	46	75	13



LB-RN

Side-Release 旁開扣

PA

Single Adjuster

- High-grade PA material provides increased strength and break resistance.
- Double leg design reduces leg breakage.
- 採用最頂級尼龍材料製造，耐用不易斷裂。
- 簡單設計，高強度。
- 防止公扣斷裂。

CODE	SIZE	A	B	C	D
LB25RN	25mm	26	34	63	11



Logo



LB-RN Plug



LB-RND

Side-Release 旁開扣

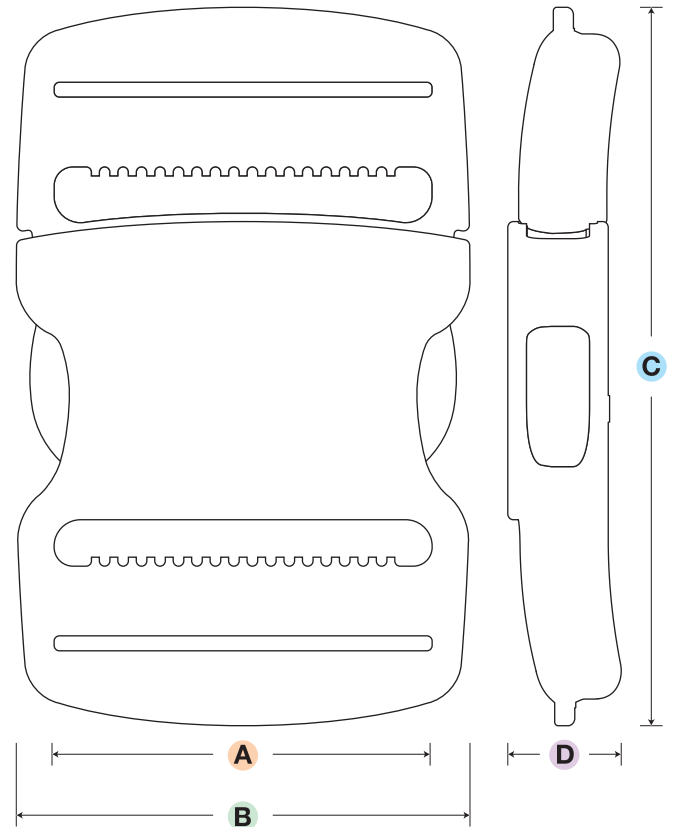
PA

Dual Adjuster

- High-grade PA material provides increased strength and break resistance.
- Double leg design reduces leg breakage.
- Dual adjustment.

- 採用最頂級尼龍材料製造，耐用不易斷裂。
- 簡單設計，高強度。
- 防止公扣斷裂。
- 兩側皆可調整織帶。

CODE	SIZE	A	B	C	D
LB50RND	50mm	50	60	95	15



Buckle 旁開扣

CYBERLOC®



Logo

LB-X

Side-Release 旁開扣

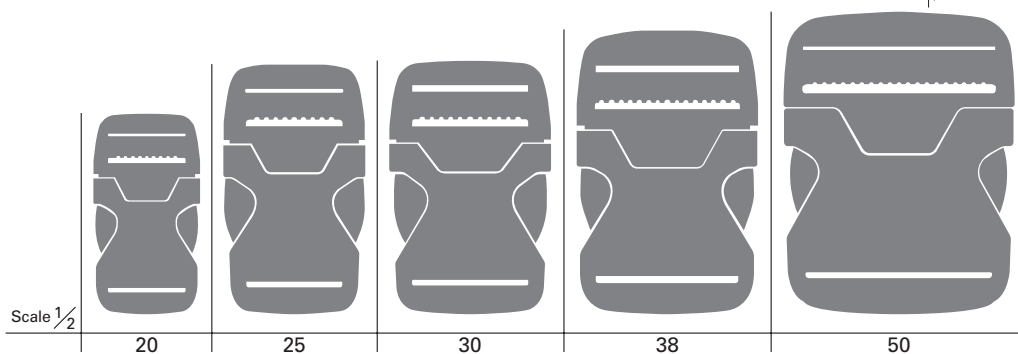
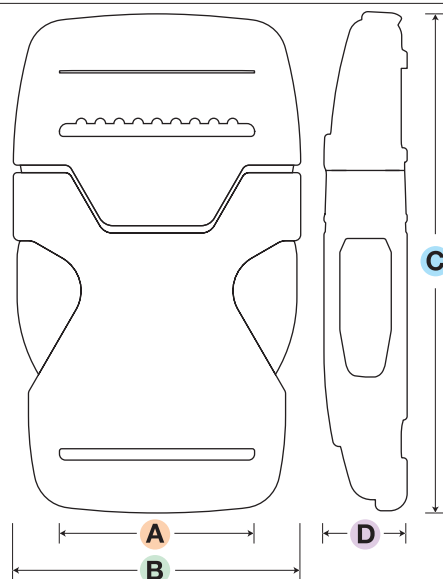
POM

Single Adjuster

- Smooth, sleek design.
- Large release tab allows for a smooth and effortless operation.

- 表面滑順。
- 開啟簡便。

CODE	SIZE	A	B	C	D
LB20X	20mm	20	28	53	9
LB25X	25mm	26	38	66	11
LB30X	30mm	31	42	67	11
LB38X	38mm	39	48	75	13
LB50X	50mm	51	61	80	14



Scale 1/2

20

25

30

38

50

CYBERLOC®



Logo

LB-XD

Side-Release 旁開扣

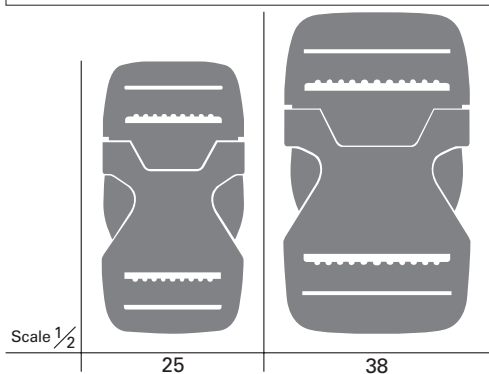
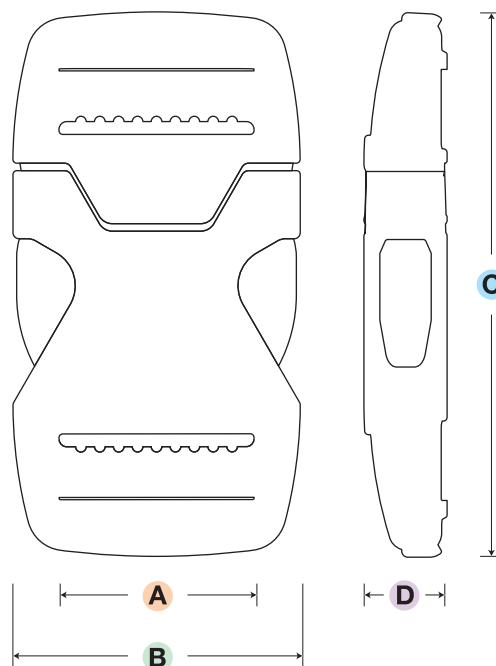
POM

Dual Adjuster

- Smooth, sleek design.
- Large release tab allows for a smooth and effortless operation.
- Dual adjustment.

- 表面滑順。
- 開啟簡便。
- 兩側皆可調整織帶。

CODE	SIZE	A	B	C	D
LB25XD	25mm	26	38	72	11
LB38XD	38mm	39	48	85	13



Scale 1/2

25

38



LB-XC

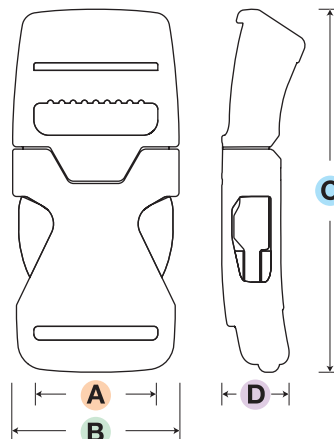
Side-Release 旁開扣

POM

Single Adjuster

- Compact, contoured version of LB-X, suitable for a curved surface.
- Large release tab allows for a smooth and effortless operation.
- 側面彎曲設計，可服貼於產品。

CODE	SIZE	A	B	C	D
LB16XC	16mm	16	22	48	9



LB-RH

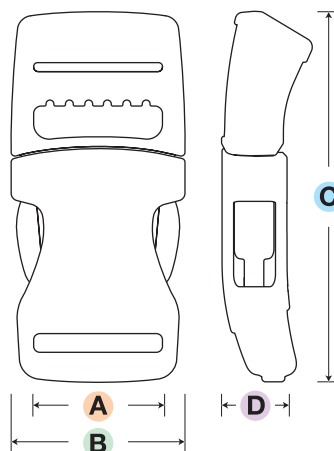
Side-Release 旁開扣

POM

Single Adjuster

- Small buckle with a curved surface and durable plug adjuster.
- 輕巧曲面設計。

CODE	SIZE	A	B	C	D
LB16RH	16mm	17	23	49	9



LB-RC

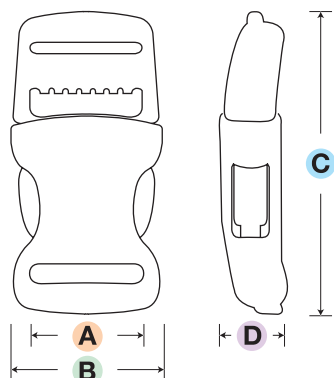
Side-Release 旁開扣

POM

Single Adjuster

- Small, curved version of the LB-R series.
- 曲面設計之小型扣具。

CODE	SIZE	A	B	C	D
LB15RC	15mm	15	20	40	9





LB-PC

Side-Release 旁開扣

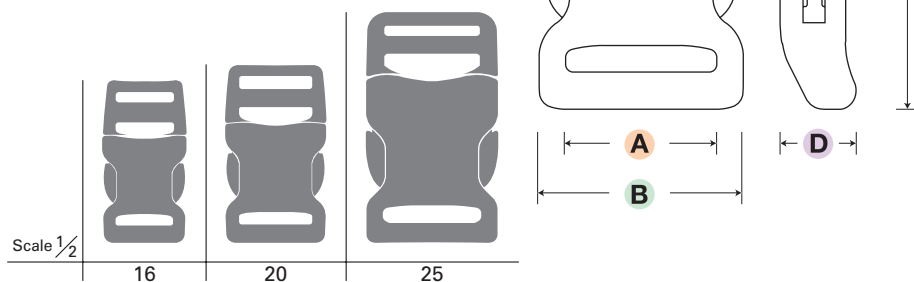
POM

Single Adjuster

- Contoured buckle with high strength.
- Can be used with various tape thickness.
- Incorporates a unique multiple locking system.
- Recommended for use in pet collars or sports sandals.

- 上下・側面之咬合構造展現了最強的強韌度。
- 側面彎弧造型，可服貼於產品上，可搭配較厚的織帶。

CODE	SIZE	A	B	C	D
LB16PC	16mm	16	23	43	9
LB20PC	20mm	20	27	47	10
LB25PC	25mm	25	35	61	13



Minimal



LB-LB

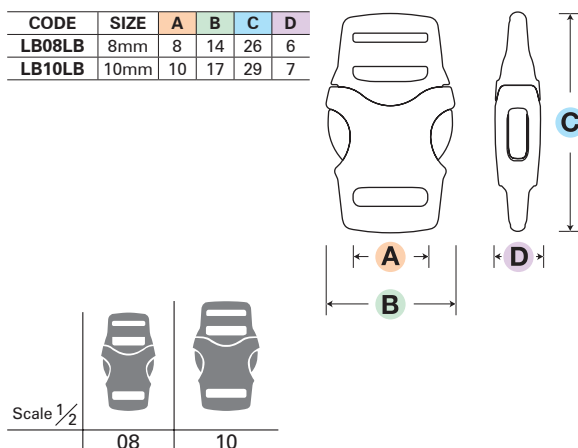
Side-Release 旁開扣

POM

Single Adjuster

- Super-small and unique side release buckle.
- 旁開扣款式尺寸最小型扣具。

CODE	SIZE	A	B	C	D
LB08LB	8mm	8	14	26	6
LB10LB	10mm	10	17	29	7



Minimal



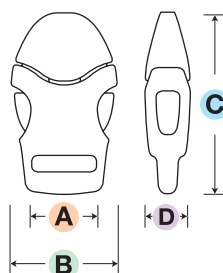
LB-LS

Side-Release 旁開扣

POM

- Small strap buckle designed for use with 0.8mm diameter cord.
- 適用於小尺寸織帶需求扣具。
- 可搭配 0.8mm 的繩子。

CODE	SIZE	A	B	C	D
LB08LS	8mm	8	14	24	6



Buckle 旁開扣

Thin



Logo

LB-RS

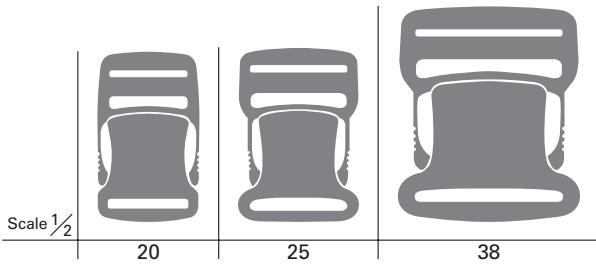
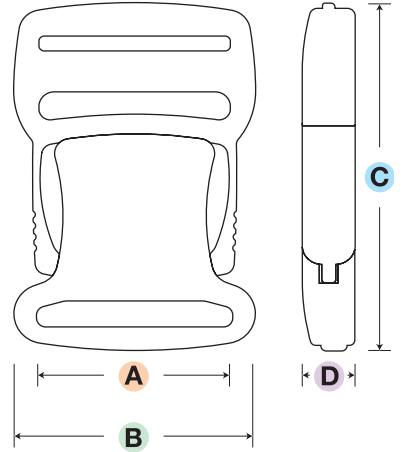
Side-Release 旁開扣

POM

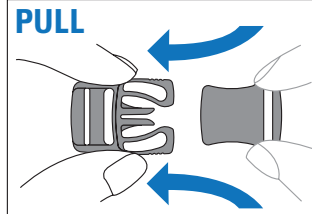
Single Adjuster

- Slim and lightweight design.
- Unique plug design provides a soft release.
- 超輕薄短小型扣具。
- 獨特的公扣環狀設計及輕盈開啟觸感。

CODE	SIZE	A	B	C	D
LB20RS	20mm	20	27	45	7
LB25RS	25mm	25	32	46	7
LB38RS	38mm	38	48	57	8

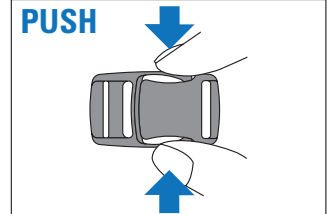


2-way release buckle Easy to release especially with small size buckle! Even with bulky gloves on!



Because of the large side levers and the unique plug shape, you can pull and unbuckle with ease.

&



The plug can be released with just a little push.



Logo

LB-S

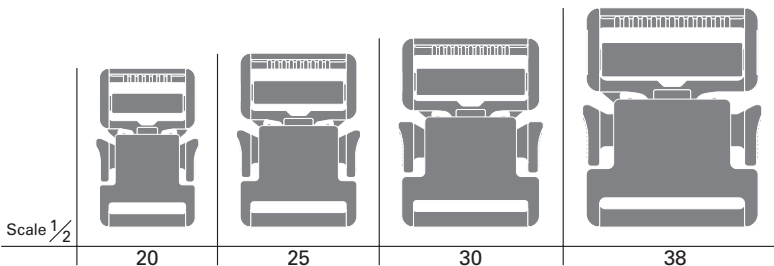
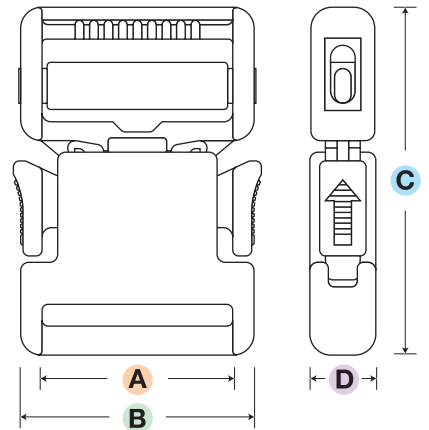
Side-Release 旁開扣

POM

Single Adjuster

- Movable middle bar prevents webbing slippage.
- "W" spring design allows for easy release.
- 公扣、母扣任何一面均適用。
- 織帶可由中間移動式橫桿調整，牢牢的將織帶固定。

CODE	SIZE	A	B	C	D
LB20S	20mm	21	26	42	8
LB25S	25mm	26	31	46	9
LB30S	30mm	31	37	50	10
LB38S	38mm	39	46	58	12



Minimal



LB-FR

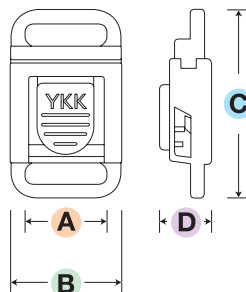
Front-Release 前開扣

POM

Non Adjustable

- Super-small design featuring an easy to use, front-push release button.
- 超迷你尺寸的前開扣。
- 容易開啟。

CODE	SIZE	A	B	C	D
LB10FR	10mm	11	15	25	7



LB-F2

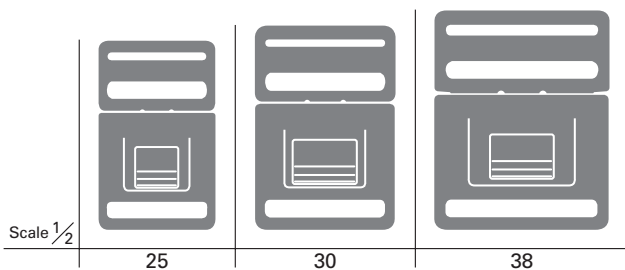
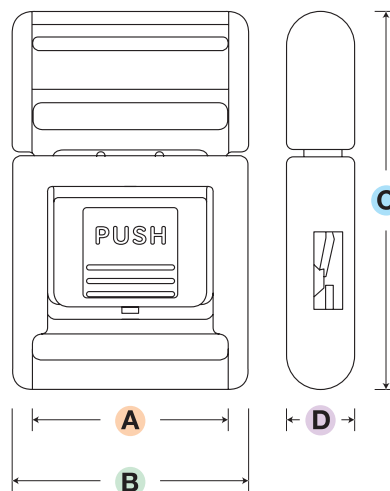
Front-Release 前開扣

POM

Single Adjuster

- Slim design with a small center release button makes this ideal for shoes or sandals applications.
- Push button can be ordered in special colors.
- 容易開啟。
- 扣身與壓鈕有多種特別顏色可供選擇。

CODE	SIZE	A	B	C	D
LB25F2	25mm	26	32	50	9
LB30F2	30mm	31	37	54	9
LB38F2	38mm	39	46	58	9





LB-FU

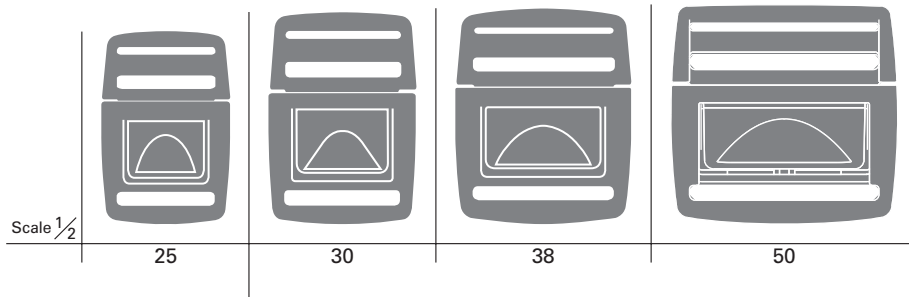
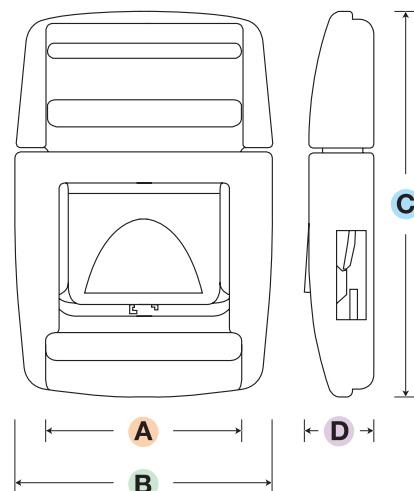
Front-Release 前開扣

POM

Single Adjuster

- Easy release using center button.
- 壓下中央鈕即可解開。

CODE	SIZE	A	B	C	D
LB25FU	25mm	25	34	51	9
LB30FU	30mm	31	39	56	9
LB38FU	38mm	38	48	57	9
LB50FU	50mm	50	60	58	9



Rotatable



LB-Q

Front-Release 前開扣

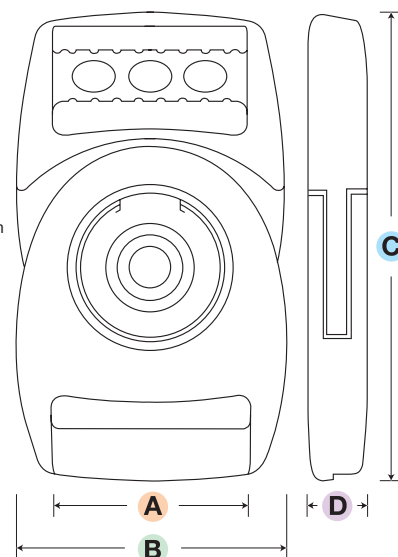
POM

Single Adjuster

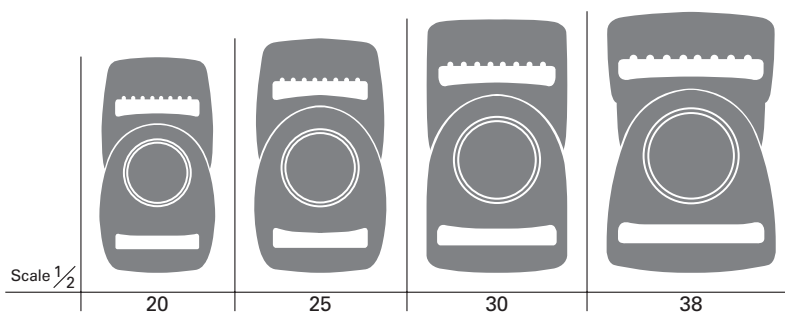
- Unique center release, rotatable buckle.
- Rotates up to 45 degrees to either side.
- 獨特的旋轉扣。
- 可左右 45 度旋轉至任一側。

CODE	SIZE	A	B	C	D
LB20Q	20mm	21	31	57	8
LB25Q	25mm	26	36	62	8
LB30Q	30mm	31	38	67	8
LB38Q	38mm	39	46	69	8

• Optional item



LB-Q Tape



Suspender



WB-S1

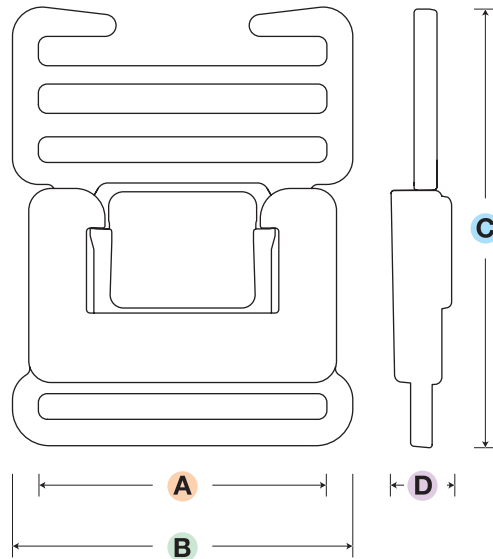
Front-Release 前開扣

POM

Single Adjuster

- Center release buckle recommended for coveralls.
- 中央開啟扣。
- 適用於工作服上。

CODE	SIZE	A	B	C	D
WB38S1	38mm	38	45	58	8



5way

New



LB-FW5

Front-Release

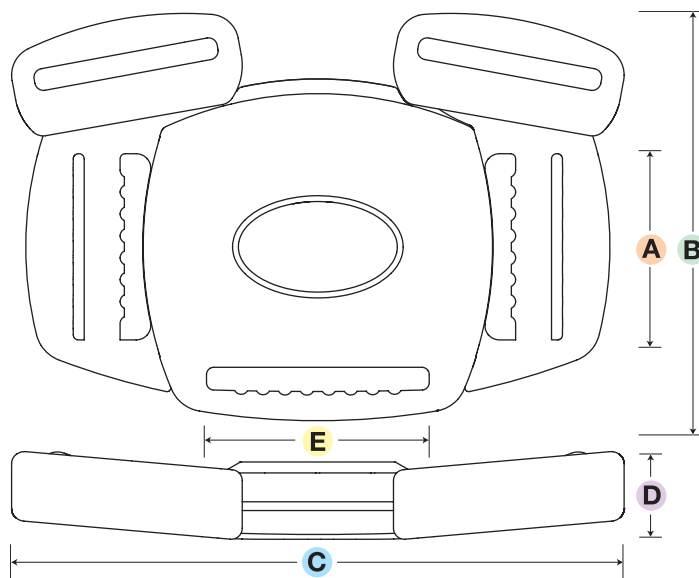
旁開扣

POM

Dual Adjuster

- Adjustable 5-point designed buckle.
- Center release designed.
- 可調整 5 件式組合扣具。
- 前開式設計。

CODE	SIZE	A	B	C	D	E
LB25FW5	25mm	26	56	81	11	30



Buckle 旁開扣

3way

LB-FW2 / FW

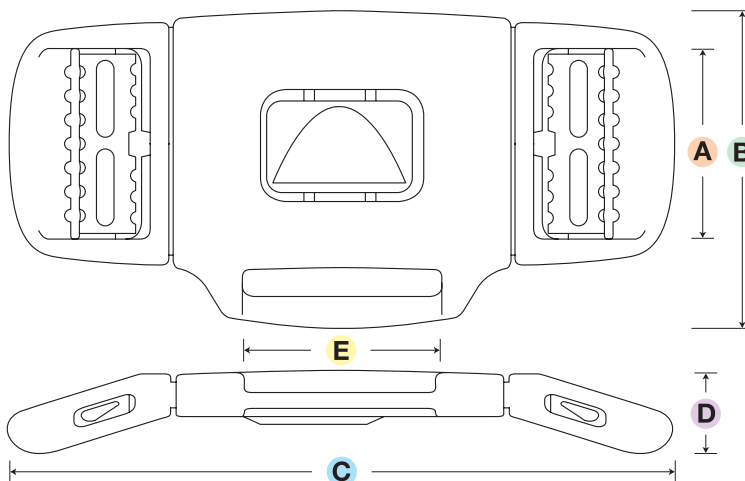
Front-Release 前開扣

POM

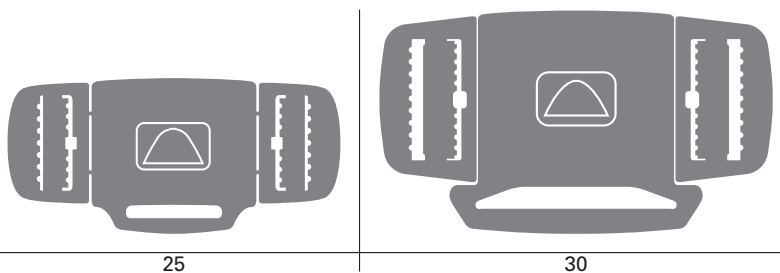
Dual Adjuster

- Ergonomically designed, center release buckle.
- Uses a movable tape lock mechanism to prevent slippage.
- 人體工學設計。
- 單按鈕開合。
- YKK 防滑織帶扣。

CODE	SIZE	A	B	C	D	E
LB25FW2	25mm	25	42	88	11	26
LB30FW	30mm	31	57	104	12	52



Scale 1/2



Belt Buckle



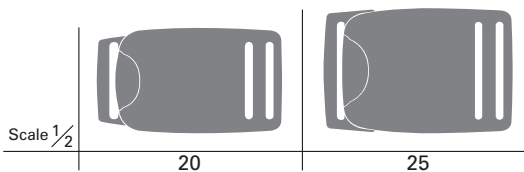
Logo



① Lock 扣合



② Turn up 開啟



WB-H

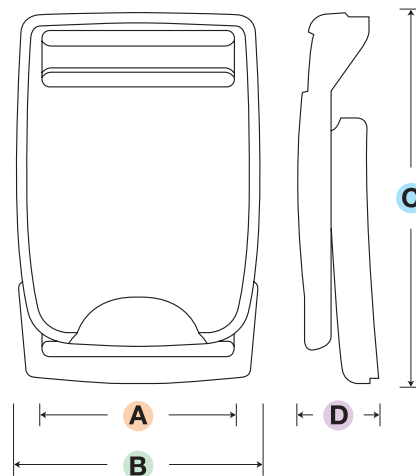
轉鎖扣

POM

Single Adjuster

- Pop-up motion allows for easy release. (Single-finger operation)
- 簡易向上即可開啟扣具。
- 單指操作之腰帶扣。

CODE	SIZE	A	B	C	D
WB20H	20mm	20	28	49	11
WB25H	25mm	26	33	50	11



Belt Buckle



Logo

WB-HS

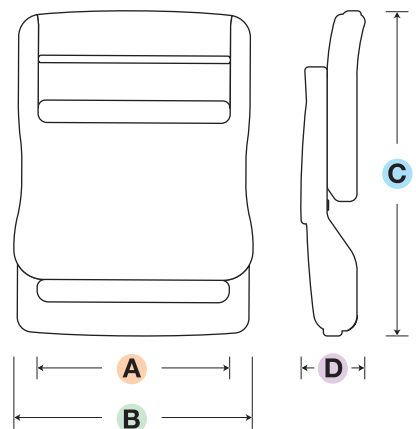
轉鎖扣

POM

Single Adjuster

- Pop-up motion allows for easy release. (Single-finger operation)
- Short length belt buckle.
- 簡易向上即可開啟扣具。
- 短距版腰帶扣。
- 單指操作之腰帶扣。

CODE	SIZE	A	B	C	D
WB25HS	25mm	26	32	43	8



Buckle 轉鎖扣

Belt Buckle



Logo

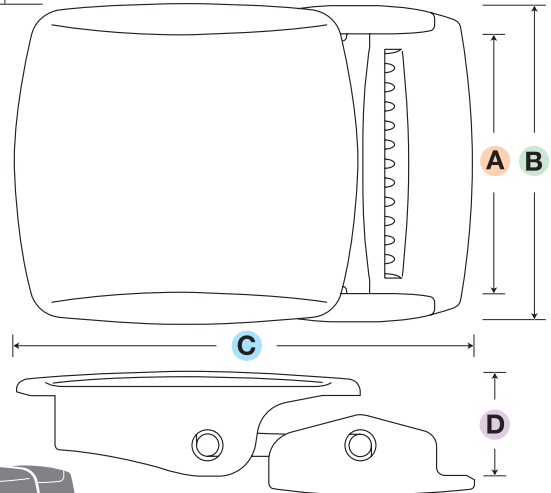
WB-DA2

轉鎖扣

POM

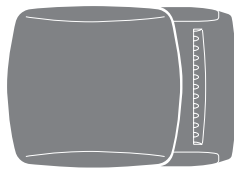
- Belt length can be adjusted in one simple motion.
- No need to stitch the buckle on the belt.
- 僅需輕拉即可調整或開啟。
- 無需車縫。

CODE	SIZE	A	B	C	D
WB30DA2	30mm	34	42	61	13
WB38DA2	38mm	39	47	59	14

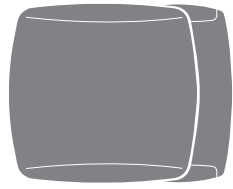


WB-DA2 Tape

Scale 1/2



30



38

Belt Buckle



Logo

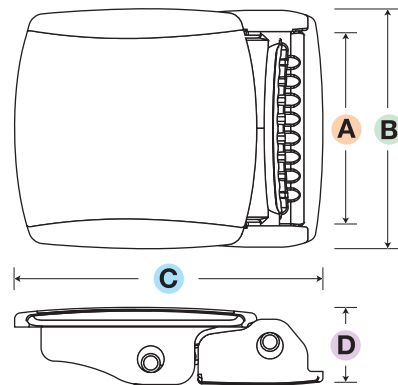
WB-DAH1

轉鎖扣

POM

- Belt length can be adjusted in one simple motion.
- No need to stitch the buckle on the belt.
- For thin webbing.
- 織帶容易調整。
- 免車縫式腰帶扣。
- 可搭配薄型織帶。

CODE	SIZE	A	B	C	D
WB25DAH1	25mm	25	32	41	11





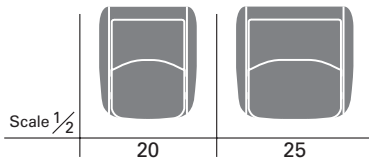
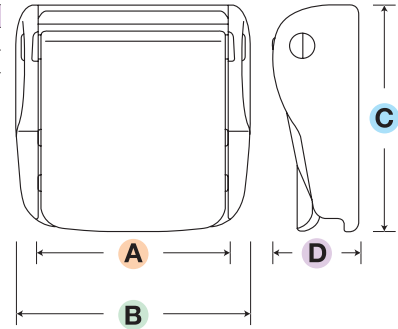
LA-CB

調整扣

POM

- Easy adjustment with a quick release.
- Recommend using a tape that is 1.2-1.7mm thick.
- 高穩定性，適用背包的調整扣。
- 容易調整及開啟，適用 1.2 - 1.7mm 厚度織帶。

CODE	SIZE	A	B	C	D
LA20CB	20mm	21	27	30	12
LA25CB	25mm	26	32	30	14



Cam Buckle 調整扣



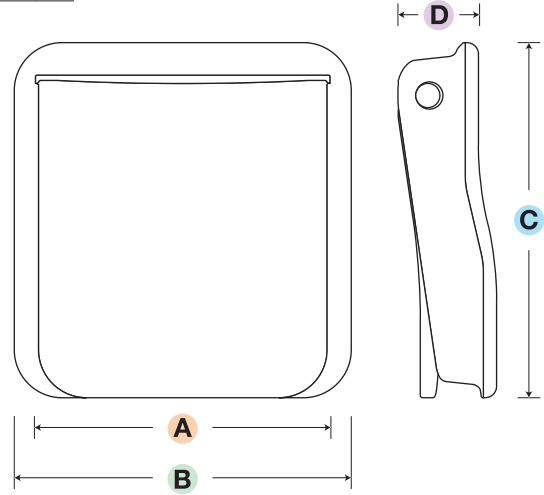
LA-CN

調整扣

POM

- Thin, lightweight design offers easy adjustment and quick release.
- 薄型與輕量化設計。
- 易調整與方便操作設計。

CODE	SIZE	A	B	C	D
LA38CN	38mm	39	45	47	11



LA-CN Tape

I.D. Card Holder 名片夹



LJ-H / HW

Side-Release 名片夹

Plug: PA

Socket: PC

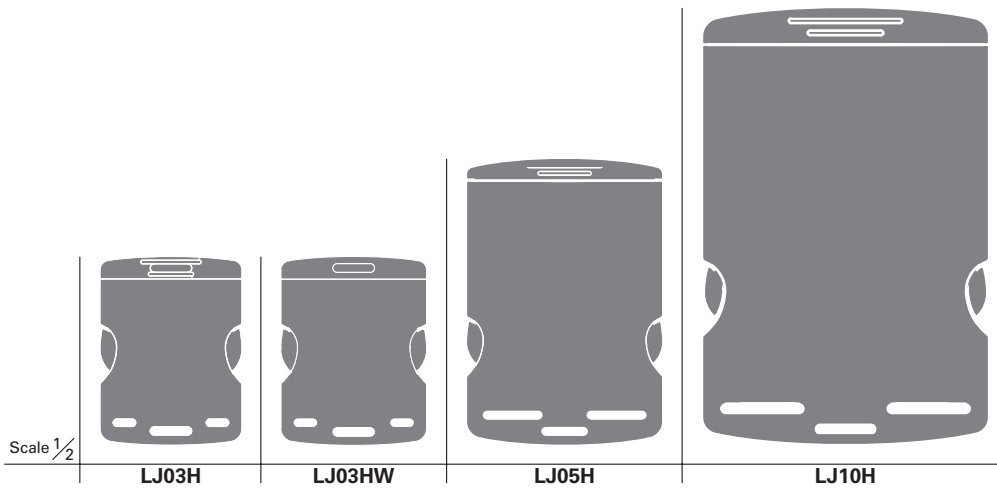
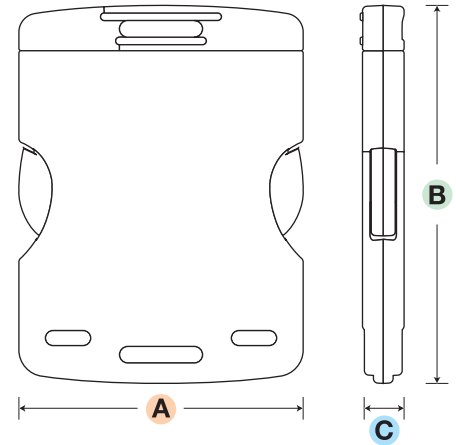
- LJ10H is designed to hold a standard-size business card.
- One-touch attachment and release.
- Cover is made of solid, strong polycarbonate.
- The plastic belt fits all buckle size.
- LJ03H is standard type, LJ03HW is rubber sealed type for water resistance.
- Available in all YKK colors for both plug and socket.

- LJ10H 可放入一般商務名片。
- 容易組裝。
- 母扣使用堅固的 PC 材質 (Polycarbonate)。
- 塑膠皮帶適用所有尺寸的名片夾。
- LH03HW 具有防水功能。在公扣及母扣結合處使用橡膠防水滲入的裝置。
- 公母扣所有顏色皆可任意搭配。

CODE	SIZE	A	B	C
LJ03H	3mm	38	50	6
LJ03HW	3mm	38	50	6
LJ05H	5mm	52	76	8
LJ10H	10mm	76	116	8

Plastic belt (Option)

SIZE
167 x 10



LJ03H



LJ05H



LJ10H

Strap Adjuster 梯扣



LK-GV

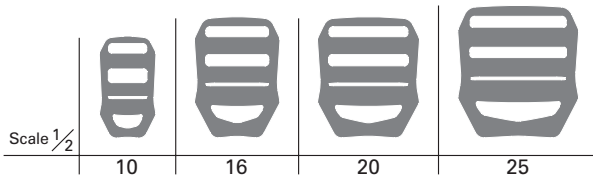
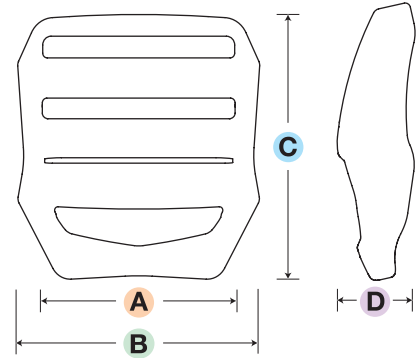
梯扣

POM

- Strap adjuster designed with higher slippage angle provides greater slippage strength under jarring conditions.
- Side shape curved designed to fit shape of finger enables easy adjustment.
- Light weight innovative design.
- Can use family products of LB-GV and LB-GP.

- 高角度調整織帶止滑。
- 符合人體工學。
- 輕量化造型 稜角設計。
- 可搭配 LB-GV, LB-GP 使用。

CODE	SIZE	A	B	C	D
LK10GV	10mm	10	15	27	8
LK16GV	16mm	17	23	32	9
LK20GV	20mm	21	27	32	9
LK25GV	25mm	26	32	35	10



LK-GVS

梯扣

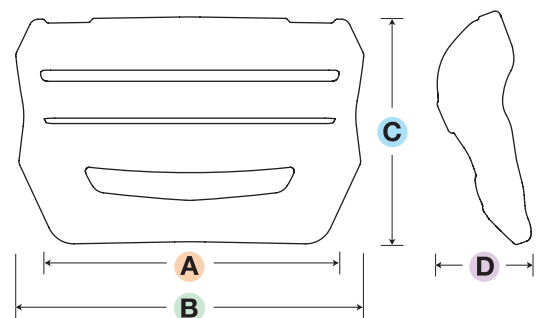
POM

Single Type

- Strap adjuster designed with higher slippage angle provides greater slippage strength under jarring conditions.
- Side shape curved designed to fit shape of finger enables easy adjustment.
- Light weight innovative design.
- Can use family products of LB-GV and LB-GP.
- Single bar adjuster.

- 高角度調整織帶止滑。
- 符合人體工學。
- 輕量化造型 菱角設計。
- 可搭配 LB-GV, LB-GP 使用。
- 單調整梯扣。

CODE	SIZE	A	B	C	D
LK38GVS	38mm	39	46	30	13



Strap Adjuster 梯扣

Sharpn' Loc®



LK-YC

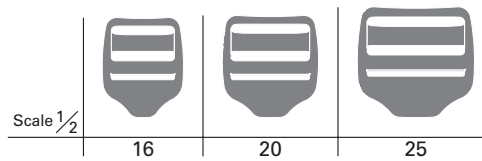
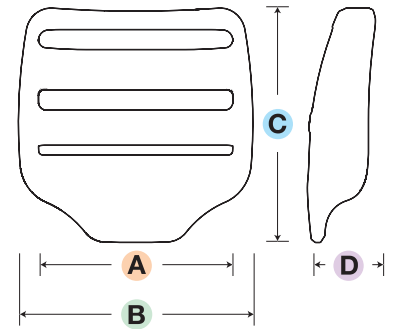
梯扣

POM

- Sharpn' Loc® series adjuster.
- Compact and lightweight.
- Tab design allows for easy adjustment.

- 輕量化設計。
- 搭配 LB-YC 系列梯扣。
- 前端可輕易調整織帶。

CODE	SIZE	A	B	C	D
LK16YC	16mm	16	22	28	8
LK20YC	20mm	21	26	28	9
LK25YC	25mm	26	31	31	9



Sharpn' Loc®



LK-YCS

梯扣

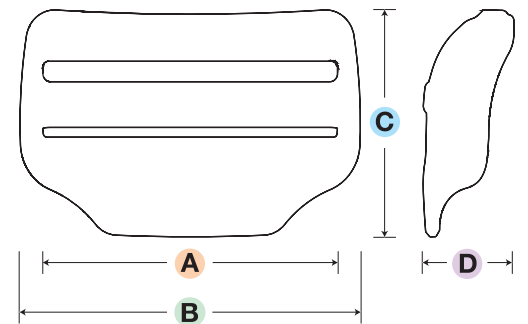
POM

Single type

- Sharpn' Loc® series adjuster.
- Compact and lightweight.
- Tab design allows for easy adjustment.
- Single bar type.

- 輕量化設計。
- 前端可輕易調整織帶。
- 單調整梯扣。

CODE	SIZE	A	B	C	D
LK38YCS	38mm	39	45	30	12



LK-TS

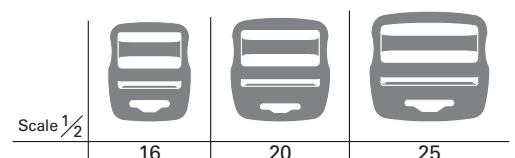
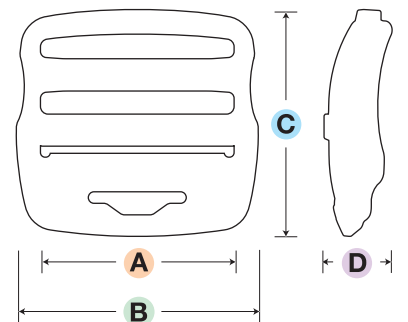
梯扣

POM

- Compact and light weight.
- Family product of LB-TS buckle.
- The open design on the finger tab allows for the addition of a cord or webbing for easy adjustment.

- 輕量化俐落外型。
- 可搭配 LB-TS 系列。
- 手壓處開口設計，可吊掛織帶並能輕易調節。

CODE	SIZE	A	B	C	D
LK16TS	16mm	17	22	27	9
LK20TS	20mm	21	27	28	9
LK25TS	25mm	26	32	30	9



Strap Adjuster 梯扣



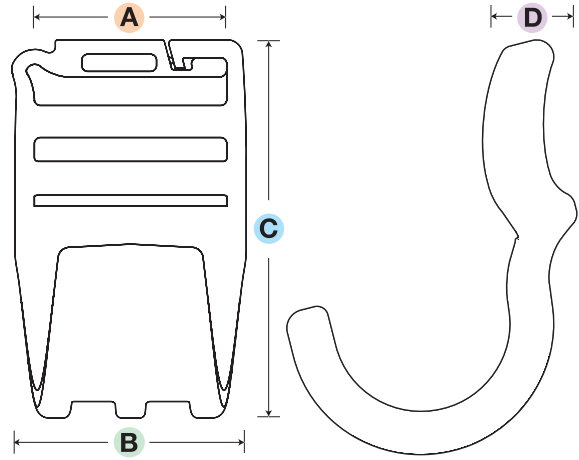
LK-HC

梯扣

POM

- Hook adjuster gives the user flexibility to hang any item along a webbing strap including backpacks, tent straps.
- 可調節式掛鉤，使用者可隨性在織帶上懸掛物品。

CODE	SIZE	A	B	C	D
LK25HC	25mm	25	31	50	11



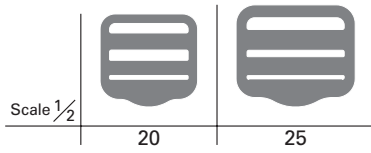
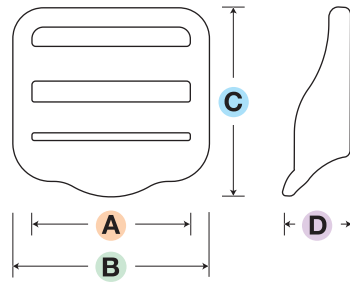
LK-EA

梯扣

POM

- Thin, lightweight and compact design.
- 輕量化與耐衝擊特點。

CODE	SIZE	A	B	C	D
LK20EA	20mm	21	26	25	9
LK25EA	25mm	26	32	27	10



Strap Adjuster 梯扣

LOCWAVE® Adjuster



Logo

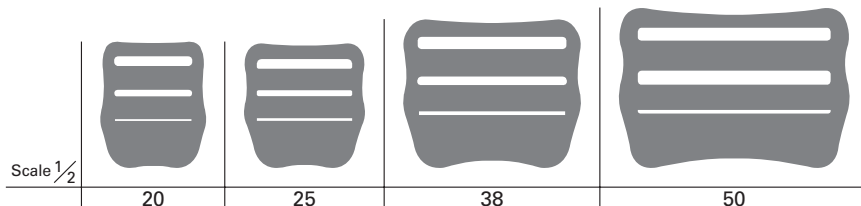
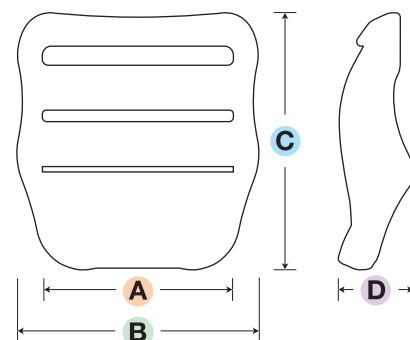
LK-WG

梯扣

POM

- Can accept various tape thickness.
- Curved tab design provides easy webbing adjustment.
- 波浪造型及特殊角度設計。

CODE	SIZE	A	B	C	D
LK20WG	20mm	21	28	34	10
LK25WG	25mm	26	32	34	10
LK38WG	38mm	39	47	39	11
LK50WG	50mm	51	61	43	13



LOCWAVE® Adjuster



Logo

LK-WGS

梯扣

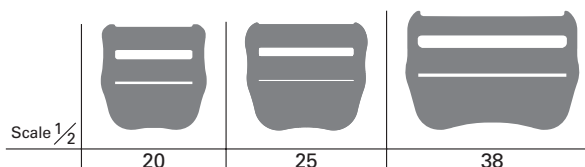
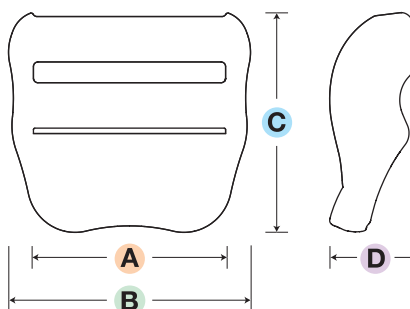
POM

Single type

- Can accept various tape thickness.
- Curved tab design provides easy webbing adjustment.
- Single bar adjuster.
- 單調整梯扣。

CODE	SIZE	A	B	C	D
LK20WGS	20mm	21	28	29	11
LK25WGS	25mm	26	32	29	12
LK38WGS	38mm	39	46	32	12

• Optional item



LOCWAVE® Adjuster



Logo

LK-WL

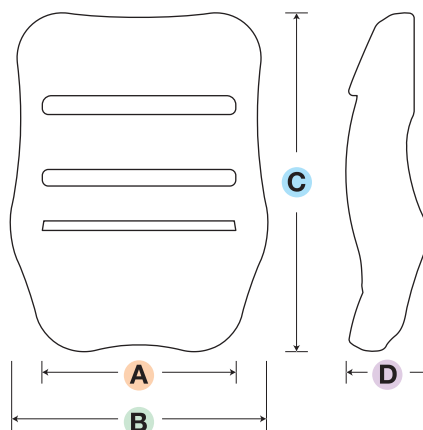
梯扣

POM

Long

- Offers a large logo space.
- Similar design and strength as LK25WG.
- Curved tab design provides easy webbing adjustment.
- 波浪造型及特殊角度設計。
- 更大 LOGO 刻印空間。

CODE	SIZE	A	B	C	D
LK25WL	25mm	26	34	45	11



Strap Adjuster 梯扣

Lightweight Adjuster



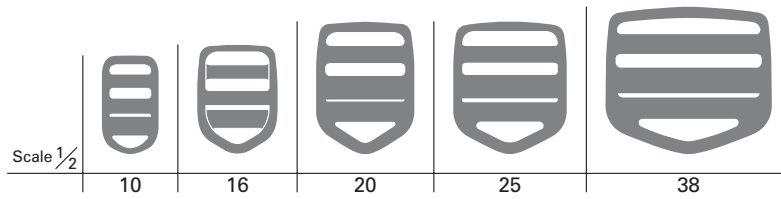
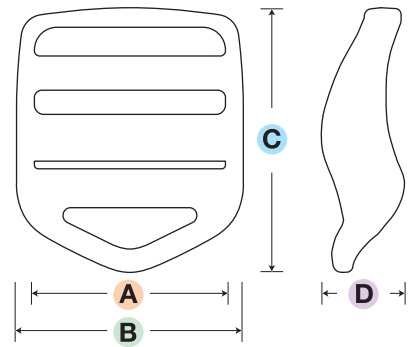
LK-LV

梯扣

POM

- Wide, curved tab design provides easy webbing adjustment.
- Generous opening allows for smooth webbing insertion while also preventing slippage.
- Lightweight, innovative design.
- Allows for additional cord insertion.
- 創新的輕量化梯扣設計。
- 亦適用於穿繩索。

CODE	SIZE	A	B	C	D
LK10LV	10mm	11	15	27	9
LK16LV	16mm	17	22	30	9
LK20LV	20mm	21	26	35	12
LK25LV	25mm	26	30	35	11
LK38LV	38mm	39	44	39	14



Lightweight Adjuster



LK-LVS

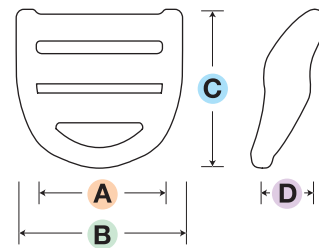
梯扣

POM

Single type

- Wide, curved tab design provides easy webbing adjustment.
- Generous opening allows for smooth webbing insertion while also preventing slippage.
- Lightweight, innovative design.
- Single bar adjuster.
- 前端凸出設計，可輕易調整操作織帶。
- 具備方便織帶組裝及防織帶滑動設計。
- 單調整梯扣。

CODE	SIZE	A	B	C	D
LK16LVS	16mm	17	22	21	7



Strap Adjuster 梯扣

HAMMERLOC® Adjuster



Logo

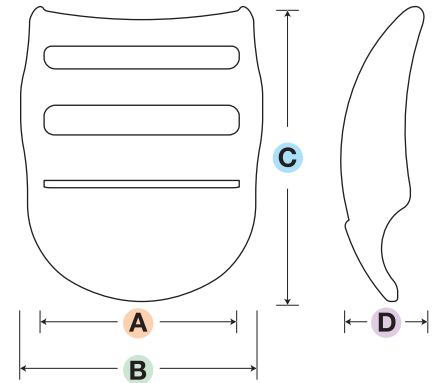
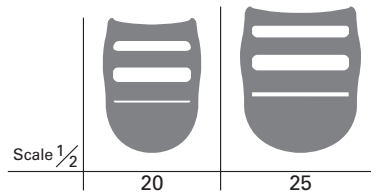
LK-PT

梯扣

POM

- Wide tab allows for easy adjustment.
- Use in conjunction with the HAMMERLOC® buckle for a sleek appearance.
- 流線造型使箱包外形更加美觀，尤其是搭配 HAMMERLOC® 扣具。

CODE	SIZE	A	B	C	D
LK20PT	20mm	21	26	35	10
LK25PT	25mm	26	32	39	11



Logo

LK-U

梯扣

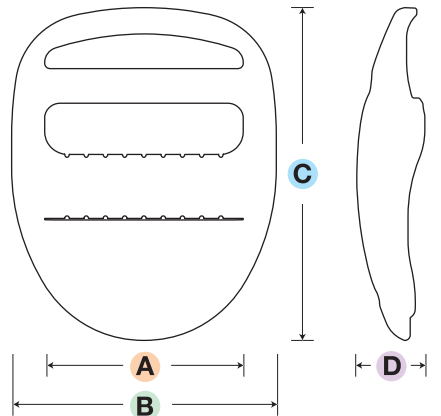
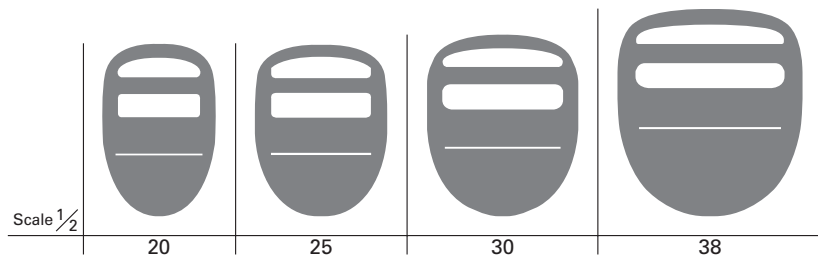
POM

- Standard, multi-purpose adjuster.
- 流線型的設計。

CODE	SIZE	A	B	C	D
LK20U	20mm	21	30	44	9
LK25U	25mm	26	35	44	9
LK30U	30mm	31	40	47	10
LK38U	38mm	39	49	55	11



LK-U Tape



UL Approved



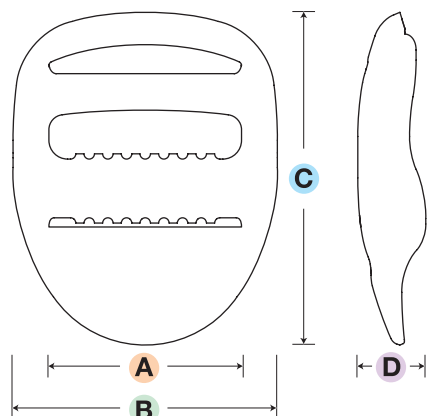
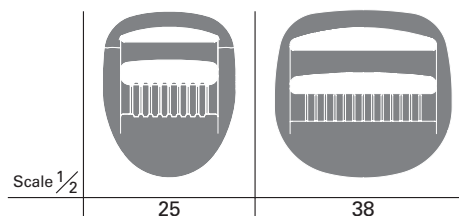
LK-KU

梯扣

POM

- UL Certified (Type2, 3, 4H and 5R)
- Ideal for use in personal flotation devices (PFD)
- 通過 UL 規格 (Type2, 3, 4H, 5R) 之認證。
- 適合 PFD (Personal Flotation Device) 之用途。

CODE	SIZE	A	B	C	D
LK25KU	25mm	26	35	44	9
LK38KU	38mm	39	47	45	11



Strap Adjuster 梯扣



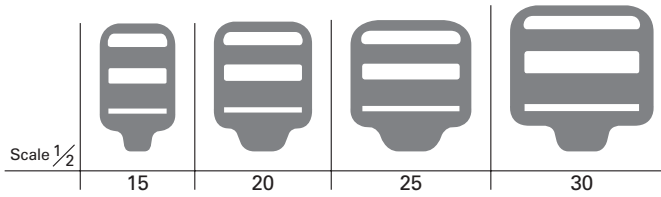
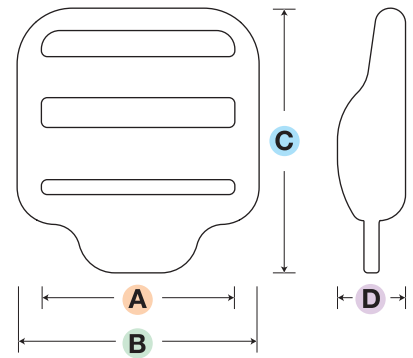
LK-E / EK 梯扣

POM

- Lightweight and compact design.
- 輕量化和小型的設計。

CODE	SIZE	A	B	C	D
LK15E	15mm	16	20	34	9
LK20E	20mm	21	26	34	9
LK25E	25mm	26	32	35	9
LK30E	30mm	31	38	39	9

LK25EK 25mm 25.8 32.2 35.7 8.8 • Logo Available

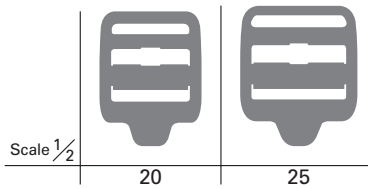
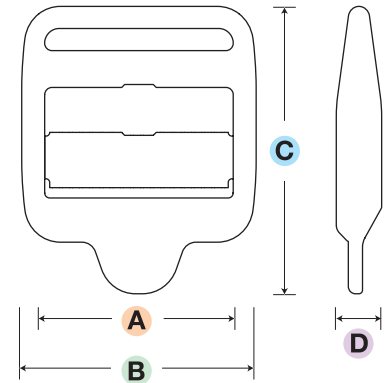


LK-M 梯扣

POM

- Movable middle bar prevents webbing slippage.
- 中軸可移動，可緊貼織帶。

CODE	SIZE	A	B	C	D
LK20M	20mm	21	27	35	6
LK25M	25mm	26	31	38	6



New

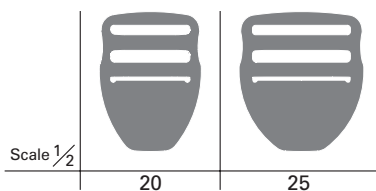
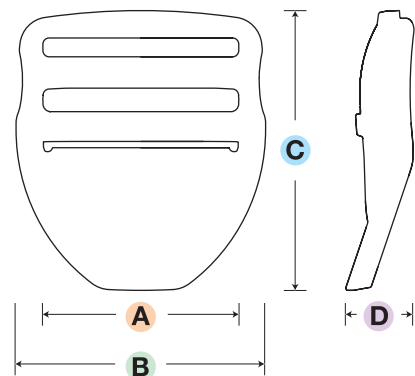
LK-TSR 梯扣

PC

Transparent

- Reflective adjuster.
- 反光梯扣。

CODE	SIZE	A	B	C	D
LK20TSR	20mm	21	27	37	9
LK25TSR	25mm	26	33	37	9



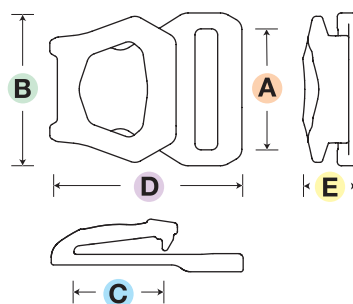


LH-GYC 織帶夾

POM

- Backpack chest strap adjuster.
- Quickly attaches fixed webbing.
- 背包胸帶調節扣。
- 可快速連接織帶。

CODE	SIZE	A	B	C	D	E
LH10GYC	10mm	16	20	12	25	7



LH-CS 織帶夾

POM

- Backpack chest strap adjuster.
- New hook design holds webbing tightly.
- The front design gives the item a slim appearance, with its shape allowing you to see the tape insertion easily.

- 背包胸帶調節扣。
- 新款設計可緊緊抓住織帶。
- 正面設計使產品外觀纖薄，輕易將織帶穿入。

CODE	SIZE	A	B	C	D
LH15CS	15mm	16	25	19	10

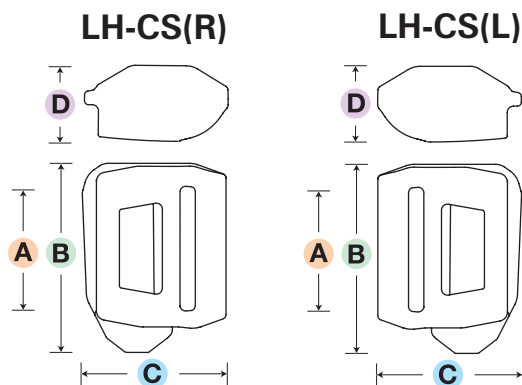


Photo LH-CS(L)

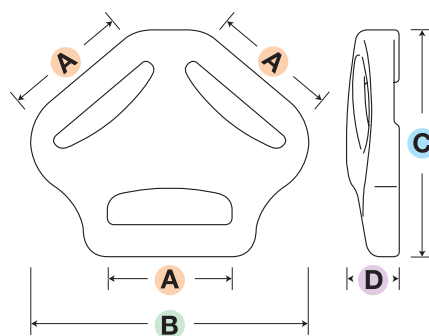


LA-RH 分帶片

POM

- 3-way strap divider.
- 安全耐用，3方向分帶片。

CODE	SIZE	A	B	C	D
LA16RH	16mm	16	37	30	7



HAMMERLOC® 3way-Loop



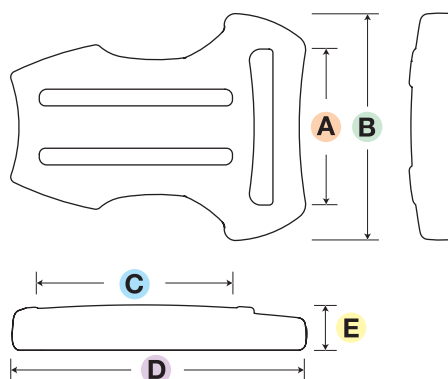
LA-PYB 分帶片

POM

- Originally designed for use in backpacks as a chest strap positioner.
- Perfect for use with the HAMMERLOC® product series.

- 背包用3方向分帶片。
- 依據HAMMERLOC®設計理念，背包前面的織帶可任意調整位置。

CODE	SIZE	A	B	C	D	E
LA25PYB	25mm	21	30	26	39	6



Loop 方型環



LT-K

方型環

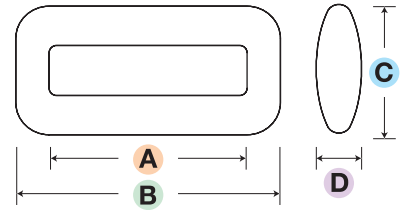
POM

- High-strength, multi-purpose loop.
- 耐強度的多功能方型環。

CODE	SIZE	A	B	C	D
LT15K	15mm	16	23	15	5
LT20K	20mm	21	29	17	5
LT25K	25mm	26	35	17	6
LT30K	30mm	31	40	24	6
LT38K	38mm	39	49	24	7
LT40K	40mm	40	51	24	7
LT50K	50mm	51	62	25	8
LT60K	60mm	60	75	30	9

• Optional item

• Optional item



LH-E

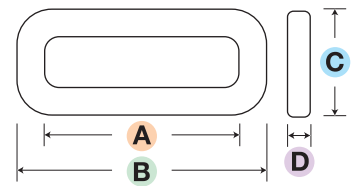
方型環

POM

- Standard, multi-purpose loop.
- 多功能方型環。

CODE	SIZE	A	B	C	D
LH18E	18mm	19	25	14	3
LH20E	20mm	21	28	14	3
LH25E	25mm	26	33	14	3
LH30E	30mm	31	39	16	3
LH38E	38mm	39	48	17	4
LH40E	40mm	41	50	17	4
LH50E	50mm	51	60	17	4

• Optional item



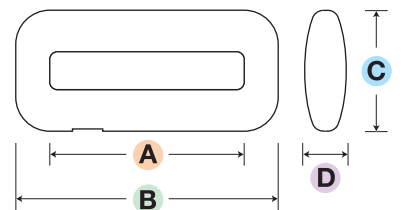
LT-TG

方型環

POM

- High-strength, narrow opening prevents webbing from twisting.
- 防皺調整扣。

CODE	SIZE	A	B	C	D
LT15TG	15mm	16	23	11	5
LT20TG	20mm	20	28	12	5
LT25TG	25mm	26	35	16	6
LT38TG	38mm	39	49	18	7
LT50TG	50mm	51	62	20	8





LA-S

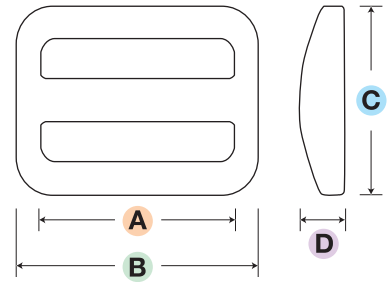
日型環

POM

- Standard, multi-purpose 3-bar adjuster.
- 多功能日型環。

CODE	SIZE	A	B	C	D
LA20S	20mm	21	27	22	6
LA25S	25mm	26	32	25	6
LA30S	30mm	31	38	28	6
LA38S	38mm	39	48	32	7
LA40S	40mm	40	50	32	7
LA50S	50mm	51	61	40	8
LA60S	60mm	61	72	37	9

• Optional item



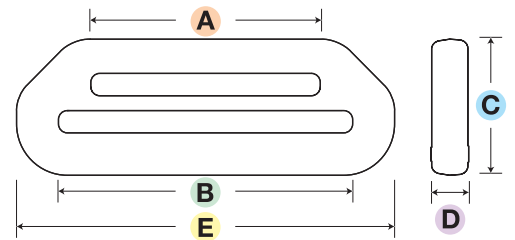
LH-W

日型環

POM

- Reduce tape width from 38mm to 30mm.
- 可使用兩種織帶寬度。
(30mm and 38mm)

CODE	SIZE	A	B	C	D	E
LH38W	38mm	30	39	18	5	50



Wedge Adjuster 日型環



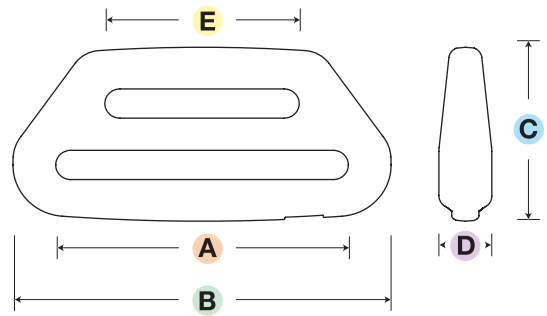
LH-WJ

日型環

POM

- Reduce tape width from 38mm to 25mm.
- 2 側可結合不同寬度織帶設計。(25mm and 38mm)

CODE	SIZE	A	B	C	D	E
LH38WJ	38mm	39	50	23	7	26



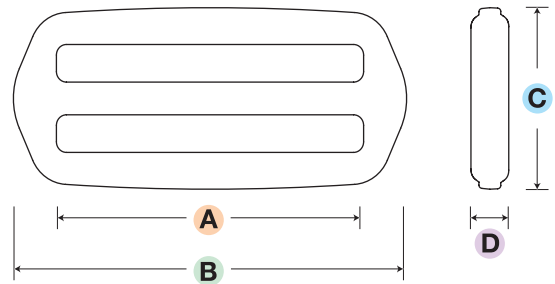
LA-EJ

日型環

TPE

- TPE adjuster.
- Logo is available on the center bar.
- TPE 軟料材質。
- 中間橫桿可 LOGO 開發。

CODE	SIZE	A	B	C	D
LA38EJ	38mm	40	52	24	5



Logo

Clip 織帶夾

Attachable



Push and Open

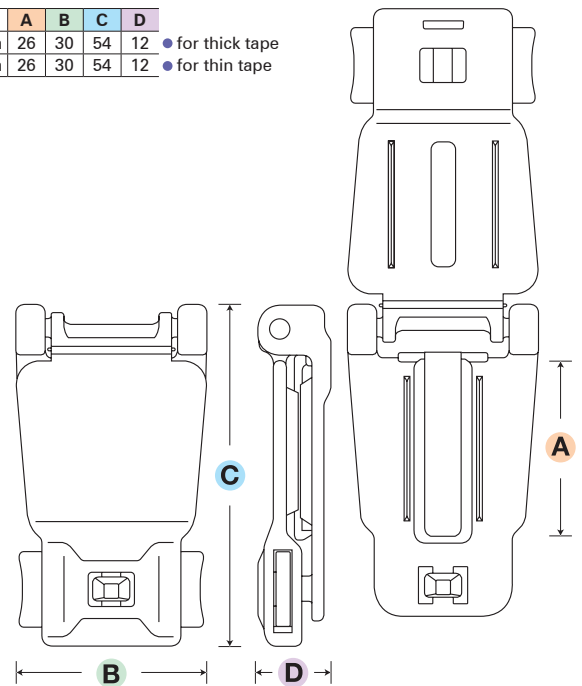
LA-AXA / AXB 織帶夾

POM

- Can be easily attached to many different kinds of pouches.
- Annex Clip fits a wide variety of webbing.
- 手機袋、小型袋類用。

CODE	SIZE	A	B	C	D
LA25AXA	25mm	26	30	54	12
LA25AXB	25mm	26	30	54	12

● for thick tape
● for thin tape



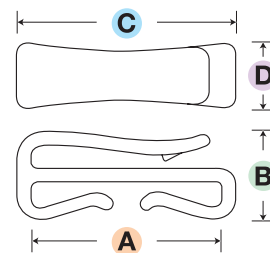
LH-SG 織帶夾

織帶夾

POM

- Quickly attaches fixed webbing.
- Designed to hold down any loose webbing.
- 織帶夾。

CODE	SIZE	A	B	C	D
LH20SG	20mm	20	11	24	8
LH25SG	25mm	25	12	29	9
LH38SG	38mm	38	13	43	12
LH50SG	50mm	50	15	55	13



Piping-Slider



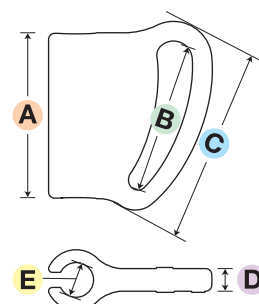
LA-PS 織帶夾

織帶夾

POM

- Backpack chest strap adjuster for 3.5mm piping.
- 易於調整肩帶。
- 適用 3.5mm Piping。

CODE	SIZE	A	B	C	D	E
LA20PS	20mm	22	20	26	3	5



Snap Hook 旋轉鉤

Plastic Spring

New



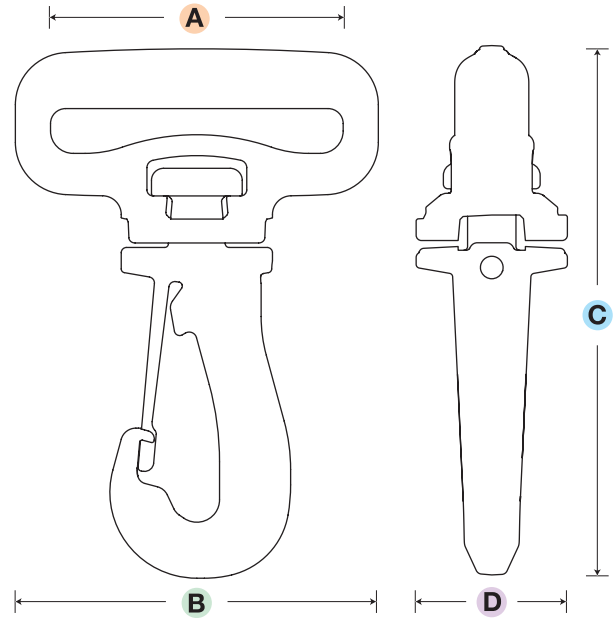
LN-ALK

旋轉鉤

POM

- High-strength designed.
- Quiet rotation.
- 加強堅固性。
- 靜音設計 360 度旋轉。

CODE	SIZE	A	B	C	D
LN38ALK	38mm	39	48	70	20



Metal Spring



Logo

LN-SM

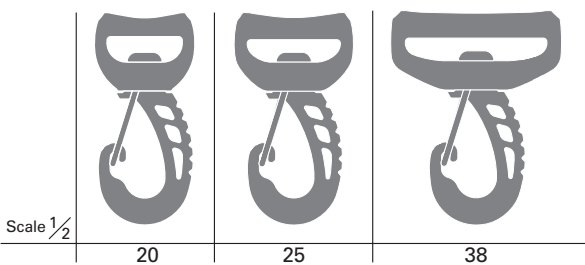
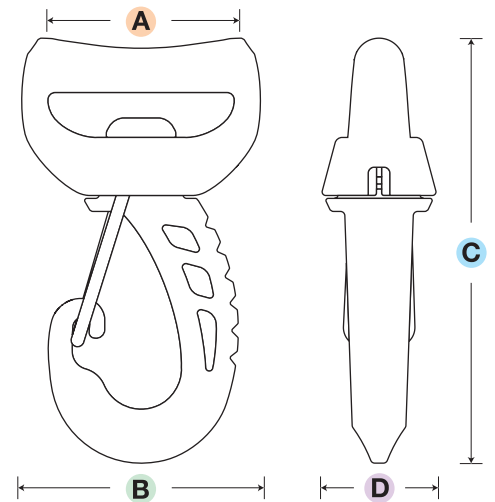
旋轉鉤

Holder: POM

Hook: PA

- Compact, metal spring design ensures a secure latch and increased strength.
- Special material combination delivers a smooth, quiet rotation.
- 金屬檔片可增加扣具使用強度。
- 俐落外型設計。
- 兩種塑料結合，使操作時更順暢無聲。

CODE	SIZE	A	B	C	D
LN20SM	20mm	21	28	56	16
LN25SM	25mm	26	33	56	16
LN38SM	38mm	39	46	57	16



Snap Hook 旋轉鉤

Plastic Spring



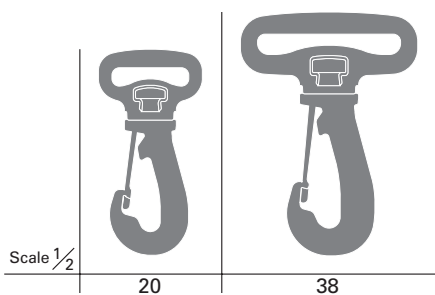
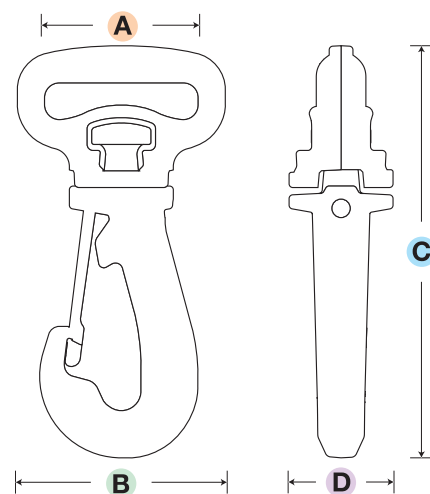
LN-AS

旋轉鉤

POM

- Integral molding technique offers high strength with no assembly process.
- Quiet rotation.
- 堅固設計，一體成型。
- 無噪音旋轉鉤。

CODE	SIZE	A	B	C	D
LN20AS	20mm	21	28	55	14
LN38AS	38mm	39	48	65	16



Scale 1/2

20

38

Metal Spring



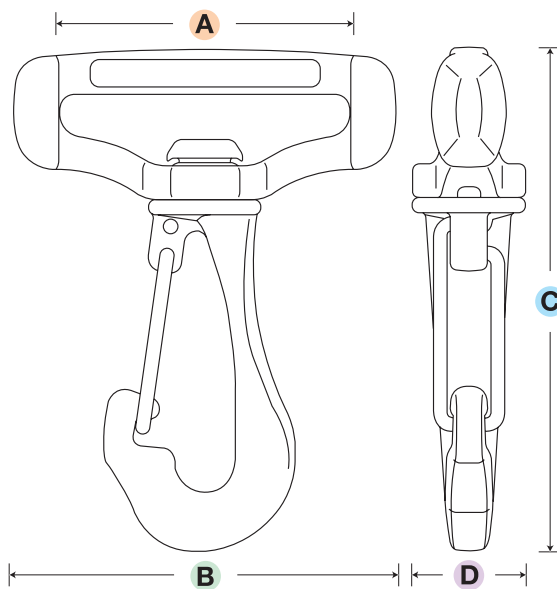
LN-M1S

旋轉鉤

POM

- Steel spring latch provides extra strength.
- Unique contoured, streamline shape allows for easy release and quiet rotation.
- 金屬檔片增加扣具使用強度。
- 流線型外觀符合人體工學設計。
- 防噪音設計的旋轉鉤。

CODE	SIZE	A	B	C	D
LN20M1S	20mm	21	31	58	13
LN38M1S	38mm	39	51	66	15



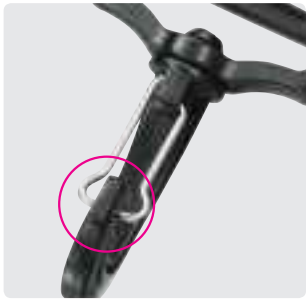
Scale 1/2

20

38

Snap Hook 旋轉鉤

Metal Spring



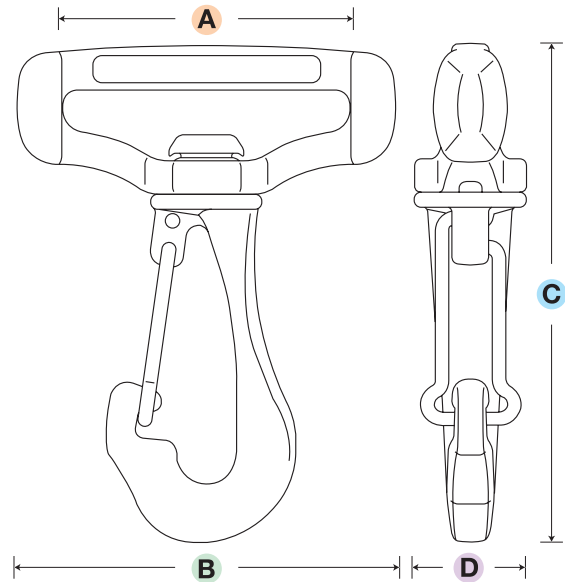
LN-M2S

旋轉鉤

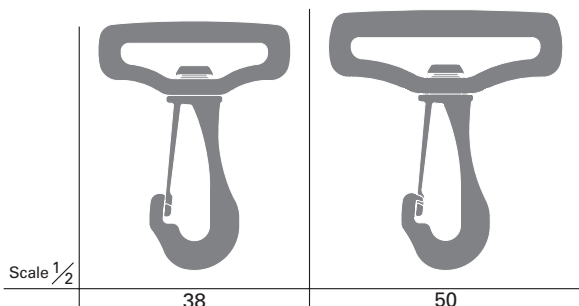
POM

- Steel spring latch provides extra strength.
- Unique contoured, streamline shape allows for easy release and quiet rotation.
- 金屬檔片增加扣具使用強度。
- 流線型外觀符合人體工學設計。
- 防噪音設計的旋轉鉤。

CODE	SIZE	A	B	C	D
LN38M2S	38mm	39	51	66	15



Plastic Spring



Scale $\frac{1}{2}$

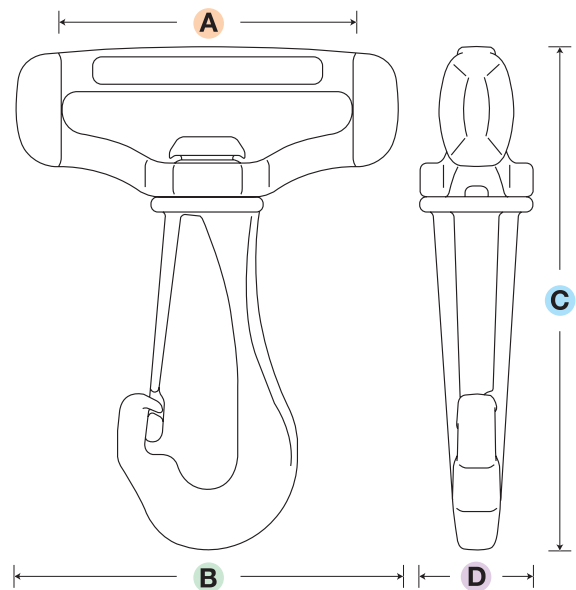
LN-ML

旋轉鉤

POM

- Unique contoured, streamline shape allows for easy release and quiet rotation.
- Plastic spring.
- 與 LN-M1S 外觀相同的全塑膠旋轉鉤。

CODE	SIZE	A	B	C	D
LN38ML	38mm	39	51	66	15
LN50ML	50mm	51	62	69	15



Snap Hook 旋轉鉤

Swivel & Rotate



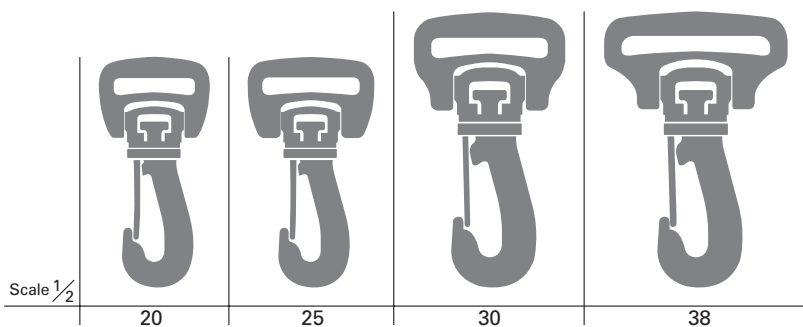
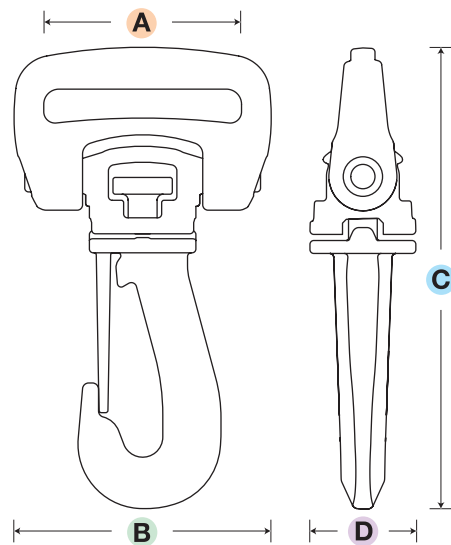
LN-AR1

旋轉鉤

POM

- High-strength design that both rotates and swivels.
- 加強堅固性。
- 可前後擺動及 360 度旋轉。

CODE	SIZE	A	B	C	D
LN20AR1	20mm	21	29	61	14
LN25AR1	25mm	26	34	61	14
LN30AR1	30mm	31	40	73	17
LN38AR1	38mm	39	49	73	17



Swivel & Rotate



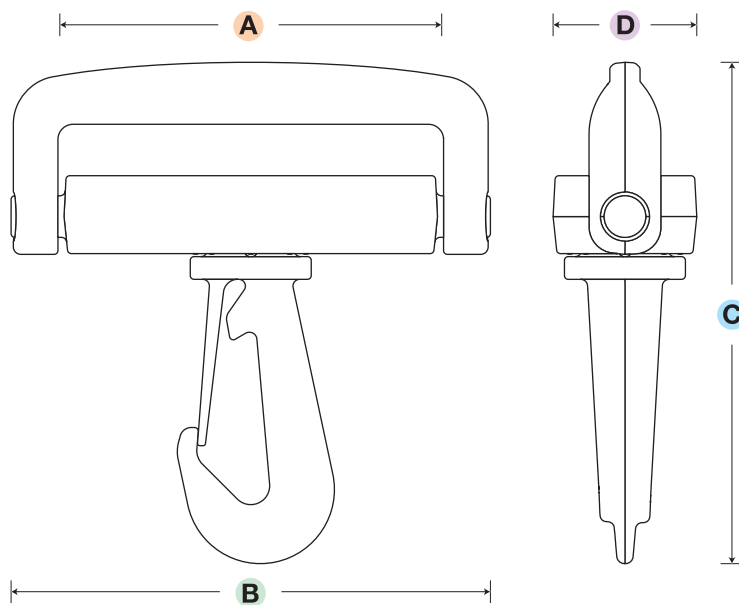
LN-RE

旋轉鉤

POM

- Specially designed PA sleeve reduces friction noise.
- Recommend for use with the LD-RE D-ring.
- 加強堅固性。
- YKK 獨特設計，可前後擺動及 360 度旋轉。
- 靜音設計。
- 高堅固性。

CODE	SIZE	A	B	C	D
LN50RE	50mm	51	63	66	19



PA Sleeve

Snap Hook 旋轉鉤



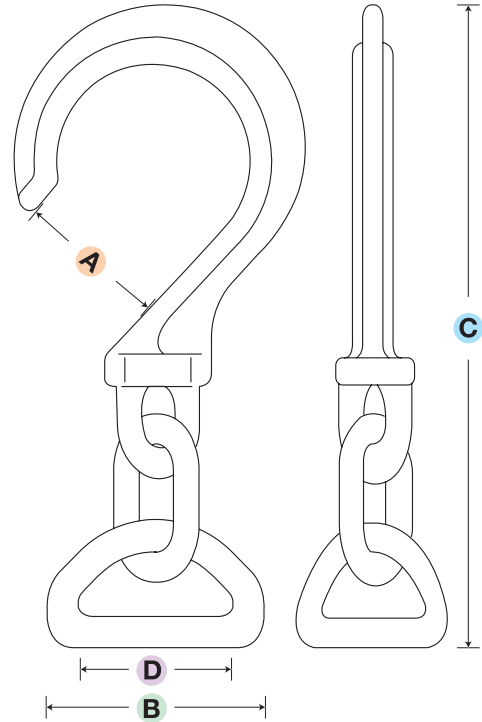
LF-CH

旋轉鉤

POM

- Attached ring chain helps dissipate excessive stress.
- Suitable for hanging garment cases.
- 底部環扣設計可緩和壓力。
- 適用於服裝包。

CODE	SIZE	A	B	C	D
LF20CH	20mm	21	29	85	20



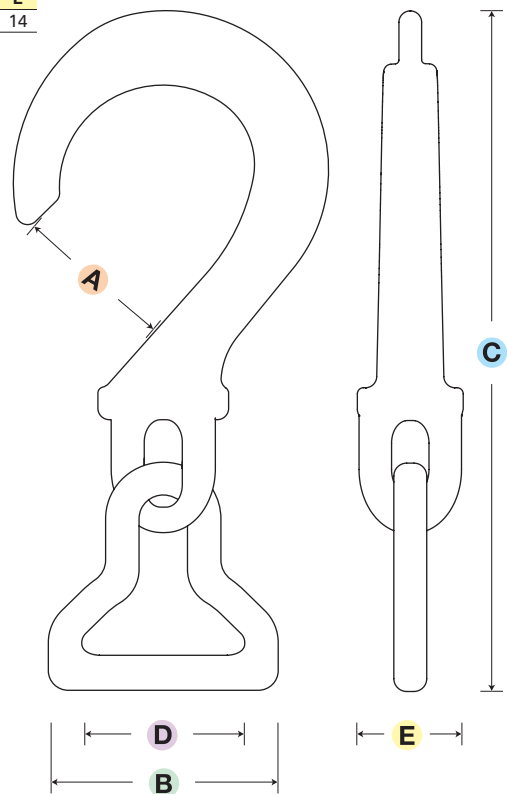
LF-HA

旋轉鉤

POM

- Durable design can be twisted up to 90 degrees.
- 90度旋轉掛勾。

CODE	SIZE	A	B	C	D	E
LF20HA	20mm	21	30	90	21	14



Snap Hook 旋轉鉤



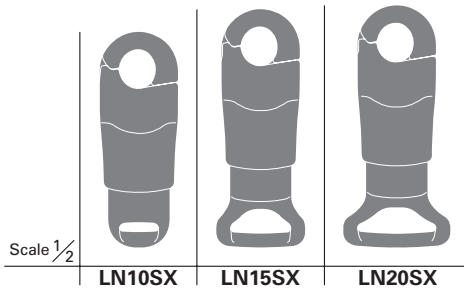
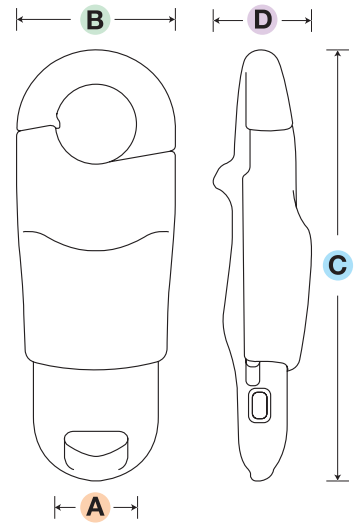
LN-SX

旋轉鉤

POM

- Grooved slide lever offers easy manipulation.
- Recommend for use in low-profile applications.
- Ideal for key ring attachments.
- 符合手指流線設計。
- 輕便設計。
- 方便於與扣環連接。

CODE	SIZE	A	B	C	D
LN10SX	10mm	11	21	57	13
LN15SX	15mm	16	23	63	13
LN20SX	20mm	21	28	64	13



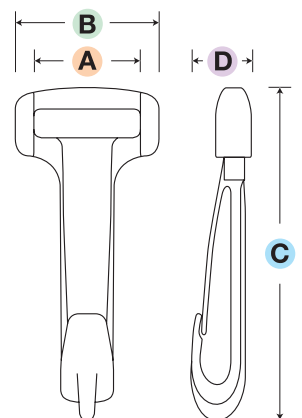
LN-KH

旋轉鉤

POM

- Small size, great for inside bag application.
- 小尺寸掛勾·亦適合內袋使用。

CODE	SIZE	A	B	C	D
LN13KH	13mm	14	19	44	8



Snap Hook 旋轉鉤

Swivel & Rotate



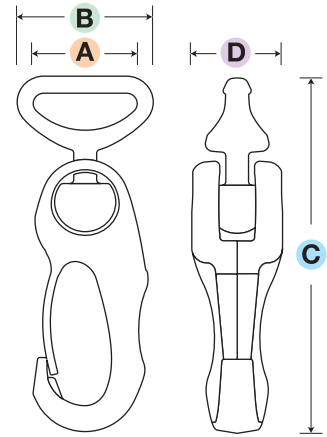
LN-13ZR

旋轉鉤

POM

- Rounded shape is easier to hold and use.
- Great for key ring attachments.
- 符合手指流線設計。
- 方便於與扣環連接。

CODE	SIZE	A	B	C	D
LN13ZR	13mm	14	18	47	12



Swivel & Rotate



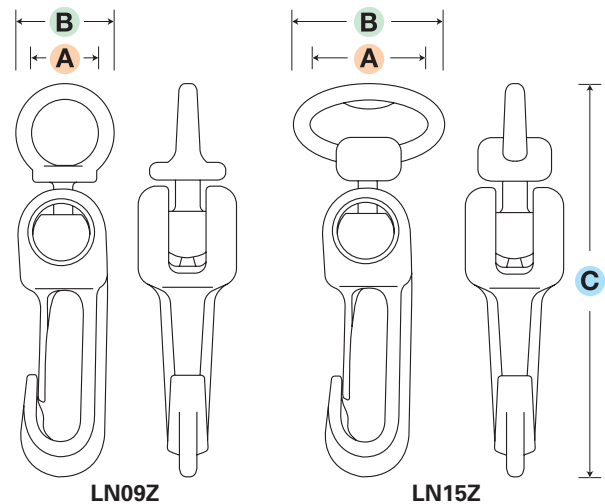
LN-Z

旋轉鉤

POM

- Rounded shape is easier to hold and use.
- Great for key ring attachments.
- Hook and ring can rotate smoothly in all directions.
- 可 360° 旋轉。

CODE	SIZE	A	B	C
LN09Z	09mm	9	13	52
LN15Z	15mm	15	20	52



D-Ring D型環



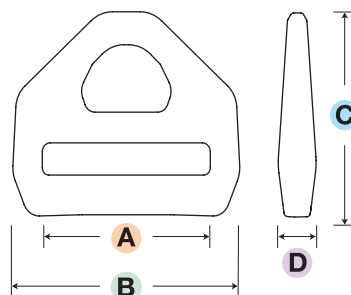
LD-KN

D型環

POM

- Ring remains steady to limit movement of the snap hook.
- Narrow opening prevents tape gathering on one side.
- 可抑制旋轉鉤的搖晃。
- 防止織帶偏離的設計。
- 科技感造型。

CODE	SIZE	A	B	C	D
LD20KN	20mm	21	30	27	5



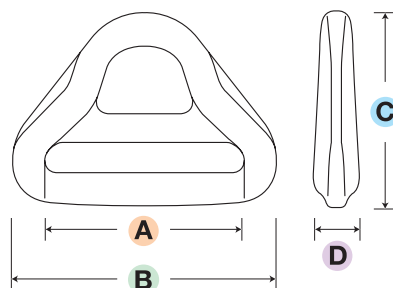
LD-S

D型環

POM

- Ring remains steady to limit movement of the snap hook.
- Narrow opening prevents tape gathering on one side.
- 可抑制旋轉鉤的搖晃。
- 防止織帶偏離的設計。

CODE	SIZE	A	B	C	D
LD20S	20mm	21	29	25	6
LD25S	25mm	26	35	26	6
LD30S	30mm	31	41	28	7
LD38S	38mm	39	50	30	7



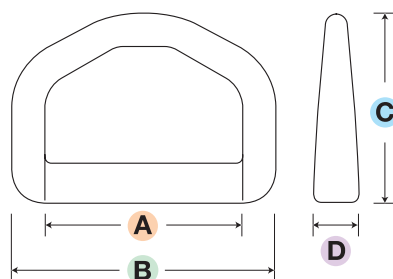
LD-E

D型環

POM

- Two of these rings can be used as a strap adjuster.
- 同時使用兩個 D 型環，即有樓梯扣的功能。

CODE	SIZE	A	B	C	D
LD15E	15mm	16	23	19	3
LD20E	20mm	21	29	25	5
LD25E	25mm	26	35	25	6
LD30E	30mm	31	40	28	6
LD38E	38mm	39	49	31	6
LD40E	40mm	41	51	32	8
LD50E	50mm	51	62	33	7



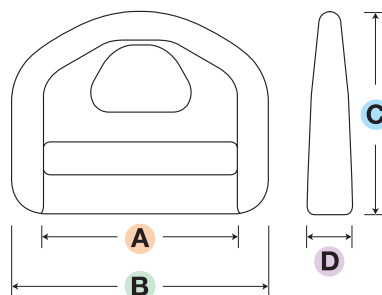
LD-K

D型環

POM

- Ring remains steady to limit movement of the snap hook.
- Narrow opening prevents tape gathering on one side.
- 可抑制旋轉鉤的搖晃。
- 防止織帶偏離的設計。

CODE	SIZE	A	B	C	D
LD20K	20mm	21	29	26	5
LD25K	25mm	26	34	27	6
LD30K	30mm	31	40	27	6
LD38K	38mm	39	49	31	6
LD50K	50mm	51	62	33	7



D-Ring D型環



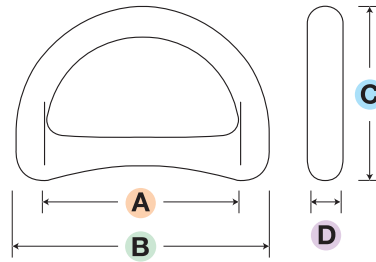
LD-R

D型環

POM

- Sleek, round design.
- 半圓光滑 D 環。

CODE	SIZE	A	B	C	D
LD25R	25mm	26	34	23	4
LD30R	30mm	31	40	26	5
LD38R	38mm	39	48	30	5



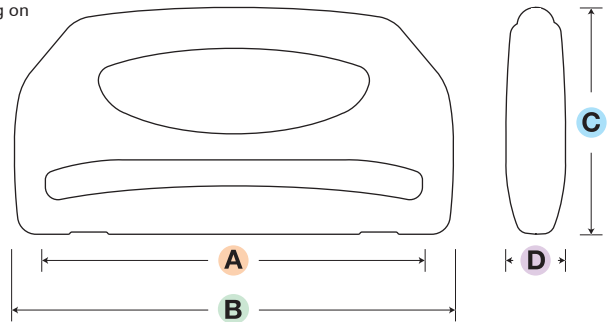
LD-RE

D型環

POM

- Ring remains steady to limit movement of the snap hook.
- Narrow opening prevents tape gathering on one side.
- 可抑制旋轉鉤的搖晃。
- 防止織帶偏離的設計。

CODE	SIZE	A	B	C	D
LD50RE	50mm	51	59	30	8



Twist



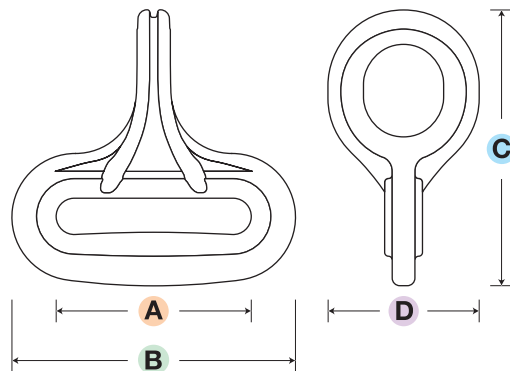
LD-TW

D型環

POM

- Twisted ring.
- 掛勾環，拉環。

CODE	SIZE	A	B	C	D
LD25TW	25mm	26	38	37	20
LD30TW	30mm	31	43	37	20
LD38TW	38mm	39	51	37	20



Cord Stopper 繩索扣

Plastic Spring



LC03WL

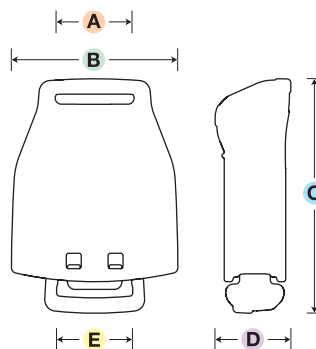
繩索扣

POM

- Used to open the main compartment of a backpack.
- One handed cord operation to loosen quickly and easily.
- The front features a new curved design that fits the shape of your finger, enabling the cord to easily be tightened.

- 可單手操作，輕易開啟背包的主隔層。
- 正面弧形新款設計，符合人體工學，可輕鬆收緊繩索。

CODE	SIZE	A	B	C	D	E
LC03WL	3mm	10	22	31	10	10



Metal Spring



LC05PC

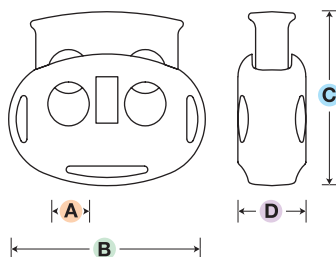
繩索扣

PA

- Webbing space designed.
- Easy adjustment designed.
- Needle detector compatible plastic hardware.

- 可穿織帶孔設計小尺寸。
- 操作便利設計。

CODE	SIZE	A	B	C	D
LC05PC	5mm	4	26	23	9



Metal Spring



LC05PD

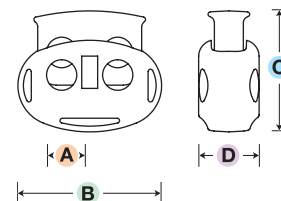
繩索扣

PA

- Webbing space designed.
- Easy adjustment designed.
- Small and lightweight.
- Needle detector compatible plastic hardware.

- 可穿織帶孔設計小尺寸。
- 操作便利設計。

CODE	SIZE	A	B	C	D
LC05PD	5mm	4	19	16	8



- The LC (All plastics) will not rust or react to needle detectors. (Standard cord diameter : ϕ 5mm)
- Please ask our sales staff for the availability of colors and metal platings.
- Some cord types may not work well; therefore, you must test them with the cord end before using them.
- LC系列為全塑鋼扣具。
- 適用於檢針機對策品及防鏽產品，請使用直徑5mm的繩子。
- 如需其他顏色及金屬表鍍請聯繫銷售人員。
- 因繩子種類不同，建議使用前先搭配測試。

Print Only available in PA.
印刷：僅適用於尼龍材質。

Cord Stopper 繩索扣

Plastic Spring



Print

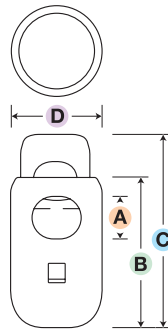


CODE	SIZE	A	B	C	D
LC05SR	5mm	5	20	25	12

LC05SR

繩索扣 POM / PA

* Needle detector compatible plastic hardware.



Plastic Spring



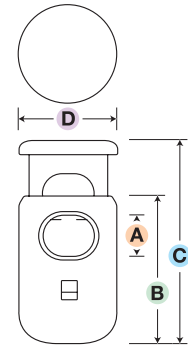
Print

CODE	SIZE	A	B	C	D
LC05KW	5mm	5	20	27	14

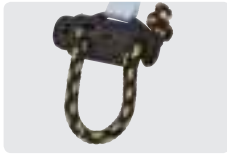
LC05KW

繩索扣 POM / PA

* Needle detector compatible plastic hardware.



Plastic Spring



CODE	SIZE	A	B	C	D	E	F	G
LC05HW	5mm	5	25	31	12	8	5	15

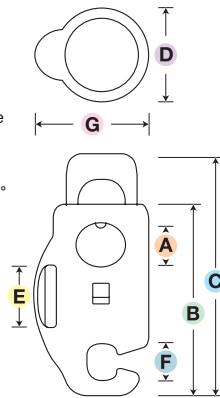
LC05HW

繩索扣 POM

- Fixed body enables single-handed cord length adjustment.
- Lower hook retains other cord end.
- Side slot allows for easy webbing attachment that can be sewn to the garment.

- 可用織帶固定、兼具掛繩功能、單手操作即可。
- 如同 LC03PE，側邊可穿織帶固定。

* Needle detector compatible plastic hardware.



Plastic Spring

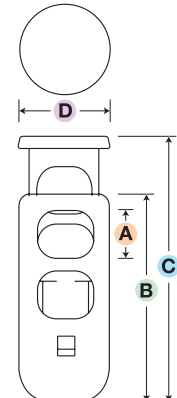


CODE	SIZE	A	B	C	D
LC05RW	5mm	6	28	35	12

LC05RW

繩索扣 POM

* Needle detector compatible plastic hardware.



Plastic Spring



CODE	SIZE	A	B	C	D	E
LC05KH	5mm	5	25	32	14	2

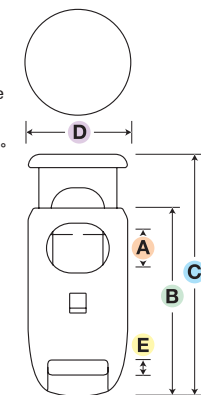
LC05KH

繩索扣 POM

- Fixed body enables single-handed cord length adjustment.
- Side slot allows for easy webbing attachment that can be sewn to the garment.

- 可固定且單手操作即可。
- 如同 LC03PE，側邊可穿織帶固定。

* Needle detector compatible plastic hardware.



Cord Stopper 繩索扣

Plastic Spring



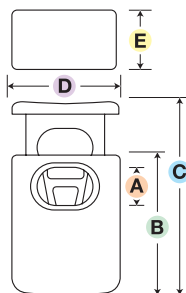
LC05SC

繩索扣

POM

- Small and flat.
- 輕薄型繩索扣。
- * Needle detector compatible plastic hardware.

CODE	SIZE	A	B	C	D	E
LC05SC	5mm	5	19	27	15	8



Plastic Spring



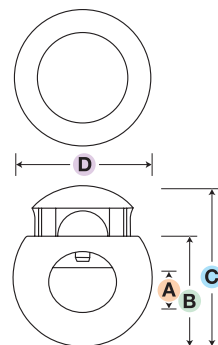
LC05SB

繩索扣

POM

- A round, compact design made entirely of plastic.
- 全塑膠製圓型精巧設計。
- * Needle detector compatible plastic hardware.

CODE	SIZE	A	B	C	D
LC05SB	5mm	5	16	27	18



Plastic Spring



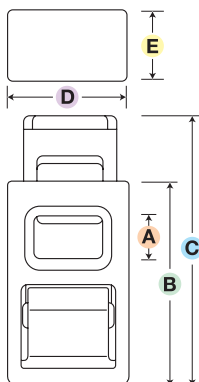
LC05WC

繩索扣

POM

- * Needle detector compatible plastic hardware.

CODE	SIZE	A	B	C	D	E
LC05WC	5mm	6	27	36	16	9



Plastic Spring



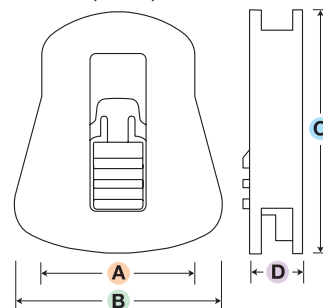
LC05WF

繩索扣

POM

- Used for double cords.
- Movable inner mechanism allows for easier cord insertion.
- 適用雙繩索。
- 公扣可取出，較易穿入繩索。
- * Needle detector compatible plastic hardware.

CODE	SIZE	A	B	C	D
LC05WF	5mm	20	28	32	7



Metal Spring



LC03PE

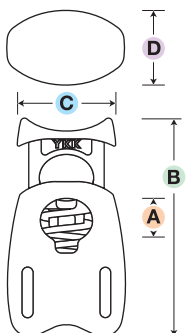
繩索扣

TPE

- Double sided slot allows for easy webbing attachment that can be sewn to the garment.
- Side slots allow for easy webbing attachment that can be sewn to the garment.
- 扣具織帶扣孔設計，可與成衣或布料固定結合。
- 側邊可穿織帶固定。



CODE	SIZE	A	B	C	D
LC03PE	3mm	5	29	13	10



Cord Holder 耳機孔

Sewable



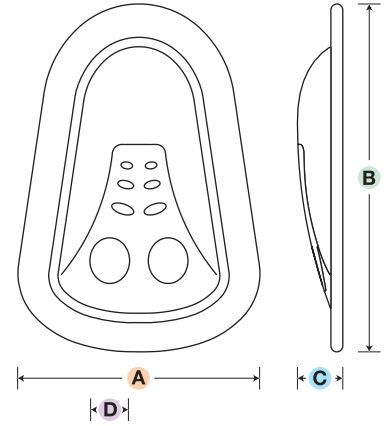
LC05UG

耳機孔

TPE

- Sewn directly onto garment and allows air flow through the openings.
- The bungee cord, which is going through the hole in this cord holder, helps to hold the hydration tube steady.
- Allows for easy routing of the headphone through your garment or bag.
- Cord is easily fastened in side slots.
- 穿過兩孔可固定耳機線。

CODE	SIZE	A	B	C	D
LC05UG	5mm	32	46	6	5



Sewable



LC02US

LC10US

LC02US / LC10US

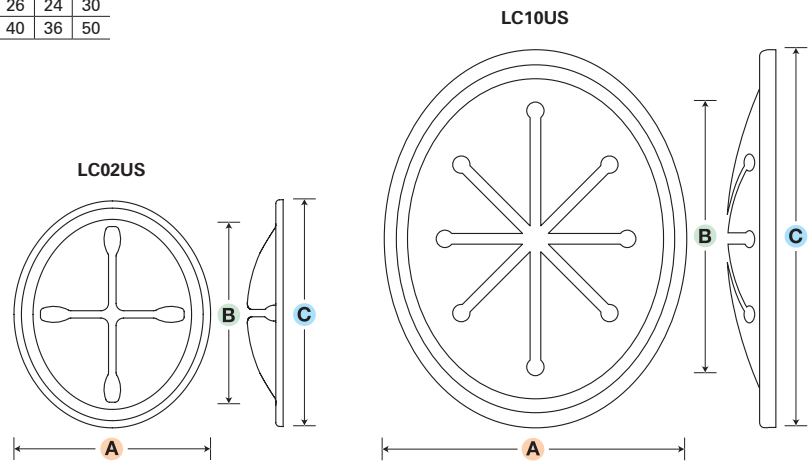
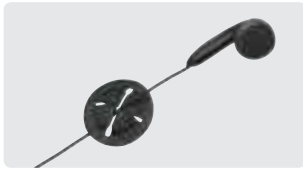
耳機孔

TPE

- Sewn directly onto garment and allows air flow through the openings.
- Offers easy access to run hydration tubes (LC10US) or headphone wires.
- Cord is easily fastened in side slots.

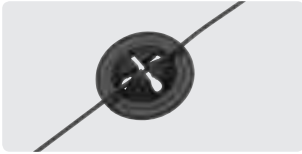
- LC10US
- 可車縫耳機孔。
 - 可固定運動用背包型水壺吸管孔。
 - 可車縫於布料上。
- LC02US
- 繩索穿入十字孔固定。
 - 可車縫於布料上。

CODE	SIZE	A	B	C
LC02US	2mm	26	24	30
LC10US	10mm	40	36	50



Zipper Cover 拉鏈蓋

Sewable

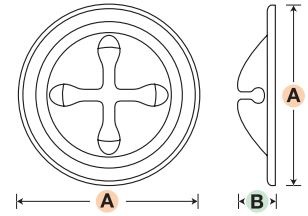


LC02UC | 耳機孔

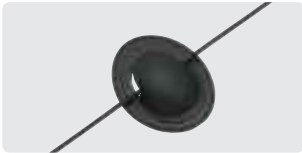
TPE

- Sewn directly onto garment and allows air flow through the openings.
- The bungee cord, which is going through the hole in this cord holder, helps to hold the hydration tube steady.
- Allows for easy routing of the headphone through your garment or bag.
- Cord is easily fastened in side slots.
- 繩索穿入十字孔固定。
- 可車縫於布料上。

CODE	SIZE	A	B
LC02UC	2mm	24	5



Sewable

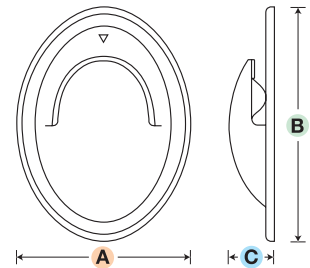


LC02UH2 | 耳機孔

TPE

- Sewn directly onto garment.
- Cord is securely fastened using the slotted opening.
- 適用於掛上直徑 2mm 的繩索，可車縫的耳機孔。

CODE	SIZE	A	B	C
LC02UH2	2mm	23	31	6



Sewable

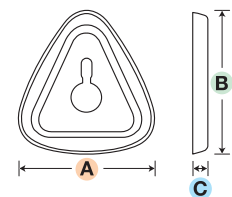


LC05EL | 耳機孔

TPE

- Sewn directly onto garment.
- Can be used as a simple cord stopper when the cord is anchored through the top slot.
- 在成衣上縫製，可發揮簡易的繩索扣功能。

CODE	SIZE	A	B	C
LC05EL	5mm	18	19	2



Zipper Cover 拉鏈蓋

ZIPCAP® Outer-Cap



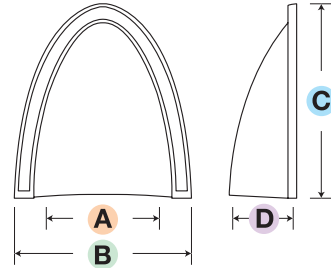
WZ-CO

拉鏈蓋

TPE

- Sewn directly onto garment over the top opening position of the zipper.
- Offers water-repellency when used in conjunction with YKK's Water Repellent Zipper.
- 與 YKK 防水拉鏈搭配使用可增進防水效果。
- 可車縫於布料上。
- 大幅增進背包防水機能。

CODE	SIZE	A	B	C	D	
WZ02CO	2mm	11	20	20	8	● for No.3 Coil Zipper
WZ03CO	3mm	15	23	26	8	● for No.5 Coil Zipper
WZ05CO	5mm	17	29	33	11	● for No.8 Coil Zipper



ZIPCAP® Innerer-Cap



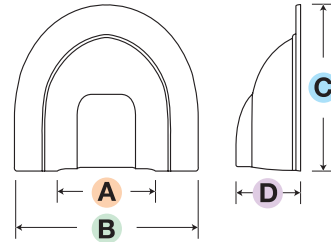
WZ-SI / WZ05NI

拉鏈蓋

TPE

- Sewn between the fabric and the zipper.
- Offers water-repellency when used in conjunction with YKK's Water Repellent Zipper.
- 與 YKK 撥水拉鏈搭配使用可提昇防水效果。
- 可車縫於布料及拉鏈之間。
- 適用於防水衣物。

CODE	SIZE	A	B	C	D	
WZ02SI	2mm	10	19	18	7	● for No.3 Coil Zipper
WZ03SI	3mm	13	24	22	9	● for No.5 Coil Zipper
WZ05NI	5mm	18	30	28	11	● for No.8 Coil Zipper



Key Lock



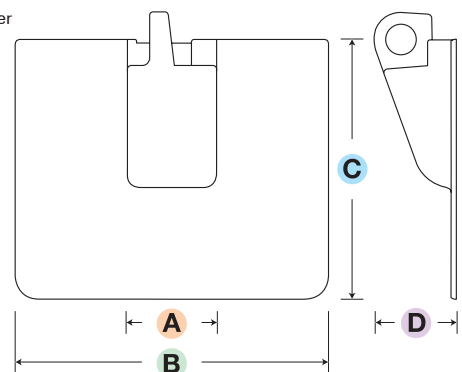
LZ05DLW

拉鏈蓋

TPE

- Sewn directly onto garment.
- Attaches to the end of YKK's DLW slider.
- 與 YKK DLW 拉頭結合使用之車縫片。

CODE	SIZE	A	B	C	D	
LZ05DLW	5mm	12	42	35	11	● for No.5 Coil Zipper



Cord End 繩尾扣



LE03NK

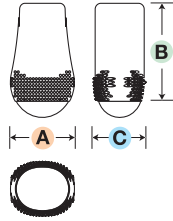
繩尾扣

Plug: **POM** Socket: **PC**
 Plug: **PA** Socket: **TPE**

Single Cord

- Cord end with non slip texture, allowing for easy grip.
- 繩索特殊安裝的小型繩尾扣。

CODE	SIZE	A	B	C
LE03NK	3mm	9	13	7



LE05WA1

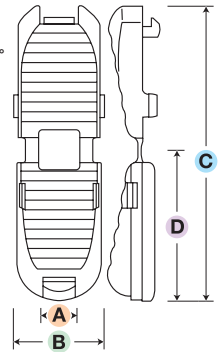
繩尾扣

POM

Double Cord

- Avoid string or attaching this item in cold temperatures as the material may become brittle.
- 存放倉庫或生產場所處於低氣溫時，此產品的壓槽連接處 (Hinge) 易於脆裂。

CODE	SIZE	A	B	C	D
LE05WA1	5mm	5	12	39	20



LE03SV

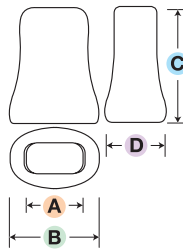
繩尾扣

POM

Single Cord

- Single cord-end stopper is used with a bungee cord.
- Plunge and V-notch hold the body firmly together.
- Suitable for use as cord adjustment of outerwear.
- See picture below for cord attachment/assembly.
- 單繩索繩尾扣，適用於彈性或橡膠拉繩。

CODE	SIZE	A	B	C	D
LE03SV	3mm	8	12	15	8



Hold and put in



LE03WV

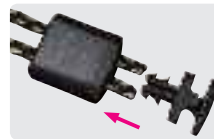
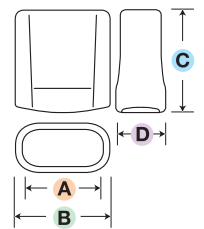
繩尾扣

POM

Double Cord

- Double cord-end stopper is used with a bungee cord.
- Plunge and V-notch hold the body firmly together.
- Suitable for use as cord adjustment of outerwear.
- See picture below for cord attachment/assembly.
- 雙繩索繩尾扣，適用於彈性或橡膠拉繩。

CODE	SIZE	A	B	C	D
LE03WV	3mm	10	13	14	7



Hold and put in

Cord End 繩尾扣

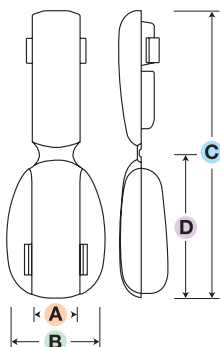


LE03CMT 繩尾扣 PA

Single Cord

- Avoid string or attaching this item in cold temperatures as the material may become brittle.

- 存放倉庫或生產場所處於低氣溫時，此產品的壓槽連接處 (Hinge) 易於脆裂。



CODE	SIZE	A	B	C	D
LE03CMT	3mm	4	13	38	19

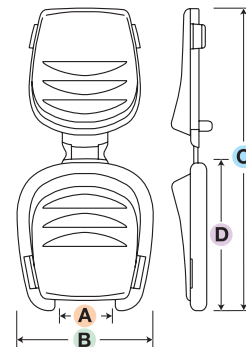


LE01STT 繩尾扣 PA

Double Cord

- Use 3-4mm diameter synthetic cord having inner core.
- For double cord application.
- Avoid string or attaching this item in cold temperatures as the material may become brittle.

- 存放倉庫或生產場所處於低氣溫時，此產品的壓槽連接處 (Hinge) 易於脆裂。



CODE	SIZE	A	B	C	D
LE01STT	1mm	7	18	40	20



Cord End 繩尾扣

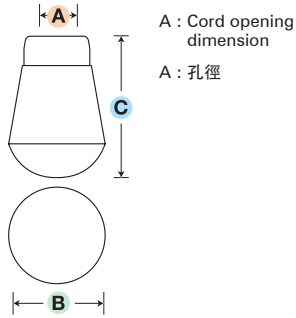


LE07CP

繩尾扣

PA

Single Cord End



CODE	SIZE	A	B	C
LE07CP	5mm	5	12	19



LE03PC

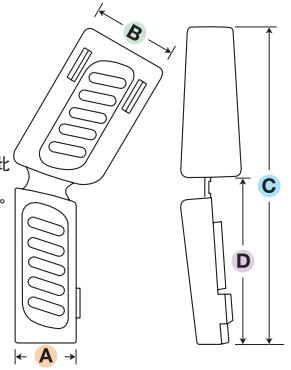
繩尾扣

PA

Double Cord End

- Avoid string or attaching this item in cold temperatures as the material may become brittle.

- 存放倉庫或生產場所處於低氣溫時，此產品的壓槽連接處 (Hinge) 易於脆裂。



CODE	SIZE	A	B	C	D
LE03PC	3mm	8	12	42	22



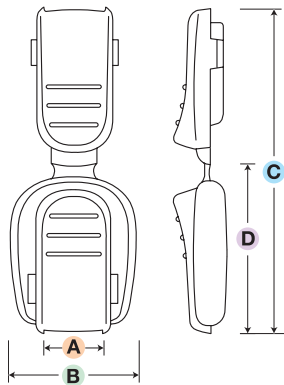
LE05CE

繩尾扣

PA

Double Cord End

- Avoid string or attaching this item in cold temperatures as the material may become brittle.
- 存放倉庫或生產場所處於低氣溫時，此產品的壓槽連接處 (Hinge) 易於脆裂。



CODE	SIZE	A	B	C	D
LE05CE	5mm	8	17	43	23



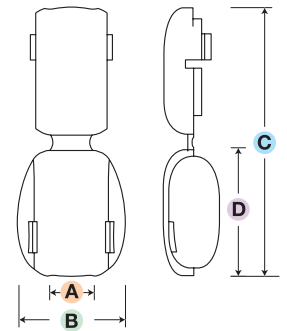
LE03PB

繩尾扣

PA

Double Cord End

- Avoid string or attaching this item in cold temperatures as the material may become brittle.
- 存放倉庫或生產場所處於低氣溫時，此產品的壓槽連接處 (Hinge) 易於脆裂。



CODE	SIZE	A	B	C	D
LE03PB	3mm	6	14	36	17



Cord thickness for attachment: 繩尾扣的安裝範例

- Place both ends of a cord in the guide.
- Snap the mechanism together to lock it perfectly.

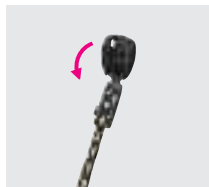
- 繩子兩端放入壓槽中。
- 尾扣公母兩面直接按壓到固定。



LE01STT

- Fold over the edge of a cord.
(Follow the directions below.)
- Use a ϕ 3-4mm synthetic cord with an inner core.
- Thermo-fix the cord edge to prevent fraying.

- 繩子兩端放入壓槽中。
- 使用 3-4 mm 彈繩或繩子。
- 繩子使用錢需熱切處理。



LE03CMT



LE07CP

- * Some cord types may not work well; therefore, you must test them with the cord end before using them.

- 因繩子種類不同，建議使用前先搭配測試。

Zipper Pull 拉片扣



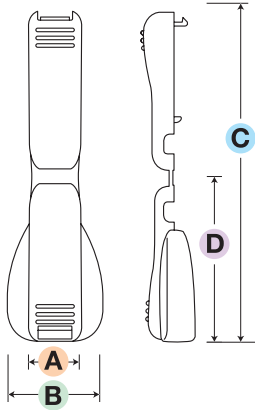
LE02PA

拉片扣

PA

- Avoid string or attaching this item in cold temperatures as the material may become brittle.
- Attachable to variety of zipper pulls.
- Please check with your YKK representative.
- 存放倉庫或生產場所處於低氣溫時，此產品的壓槽連接處 (Hinge) 易於脆裂。
- 可掛在拉片孔上。

CODE	SIZE	A	B	C	D
LE02PA	2mm	7	12	45	22



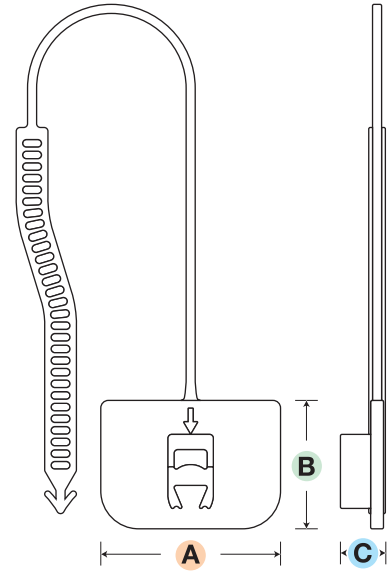
IJ01SC

拉片扣

PP

- Tag holder.
- Permanent closure for security.
- 吊牌扣。
- 穩固的扣合品質。

CODE	SIZE	A	B	C
IJ01SC	1mm	24	17	6

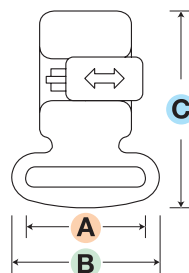




5BS SLIDER | 5BS AABL 帽扣

POM

CODE	SIZE	A	B	C
5BS AABL	5mm	16	20	26



3BR RAIL | 3BR NR06 (60mm) / NR08 (80mm) 帽扣

PA

Used in conjunction with the 5BS AABL.

Features

- Adjusts to any position with one touch.
- Strong locking function.
- Since plastic is used instead of metal rails, it is colorful, resistant to corrosion, and lightweight.

Usage

- Caps, pants, skirts, jackets, bags, shoes, etc.

Materials

- Sliders: POM
- Rail: PA

搭配 5BS AABL 使用

特色

- 可自由調整軌道的強度。
- 堅固的鎖合機能。
- 塑膠材質取代金屬軌道色彩豐富，防腐蝕，重量輕。

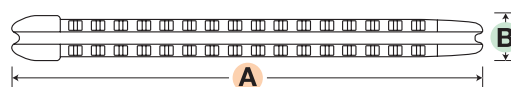
用途

- 帽子、長褲、裙子、夾克外套、皮包、鞋類等。

材質

- 拉頭：塑鋼。
- 軌道：尼龍。

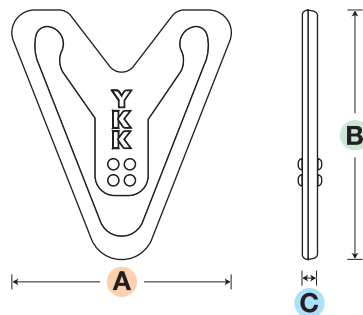
CODE	SIZE	A	B
3BR NR06	60mm	62	6
3BR NR08	80mm	81	6



IC20RY 迴紋針

POM

CODE	SIZE	A	B	C
IC20RY	20mm	29	33	2



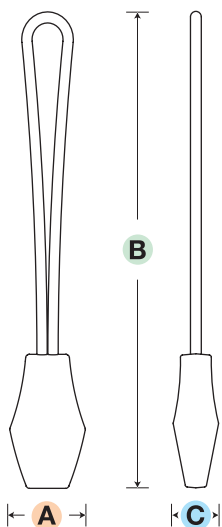
Cord Insert Puller 繩索拉片



New

CP0010A 繩索拉片 TPE

- Provides easy opening and closing of zippers.
- Reduced noise due to soft material.
- Cord is firmly attached during injection molding process.
- 輕鬆拉動
- 高強度及耐久性
- 1.5mm 雙繩



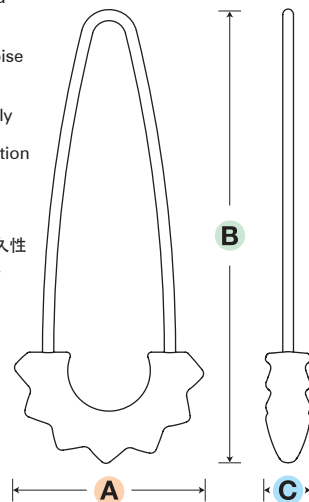
CODE	A	B	C
CP0010A	10	63	6



New

CP0011A 繩索拉片 TPE

- Provides easy opening and closing of zippers.
- Reduced noise due to soft material.
- Cord is firmly attached during injection molding process.
- 輕鬆拉動
- 高強度及耐久性
- 1.5mm 雙繩



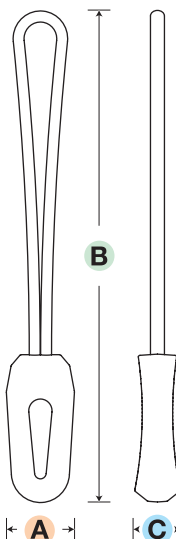
CODE	A	B	C
CP0011A	25	60	6



New

CP0012A 繩索拉片 TPE

- Provides easy opening and closing of zippers.
- Reduced noise due to soft material.
- Cord is firmly attached during injection molding process.
- 輕鬆拉動
- 高強度及耐久性
- 1.5mm 雙繩



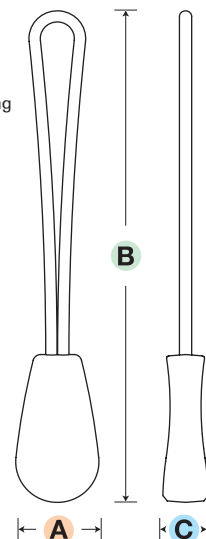
CODE	A	B	C
CP0012A	9	65	6



New

CP0013A 繩索拉片 TPE

- Provides easy opening and closing of zippers.
- Reduced noise due to soft material.
- Cord is firmly attached during injection molding process.
- 輕鬆拉動
- 高強度及耐久性
- 1.5mm 雙繩



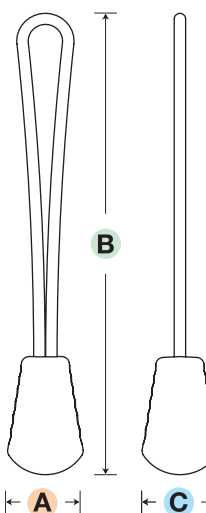
CODE	A	B	C
CP0013A	11	65	6



New

CP0014A 繩索拉片 TPE

- Provides easy opening and closing of zippers.
- Reduced noise due to soft material.
- Cord is firmly attached during injection molding process.
- 輕鬆拉動
- 高強度及耐久性
- 1.5mm 雙繩



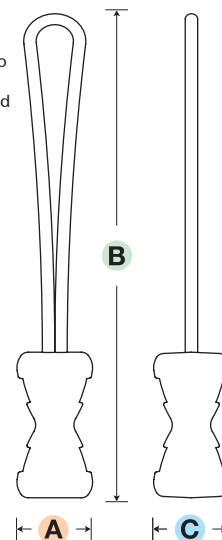
CODE	A	B	C
CP0014A	10	61	10



New

CP0015A 繩索拉片 TPE

- Provides easy opening and closing of zippers.
- Reduced noise due to soft material.
- Cord is firmly attached during injection molding process.
- 輕鬆拉動
- 高強度及耐久性
- 1.5mm 雙繩



CODE	A	B	C
CP0015A	10	65	10

Cord Insert Puller 繩索拉片



CP002A

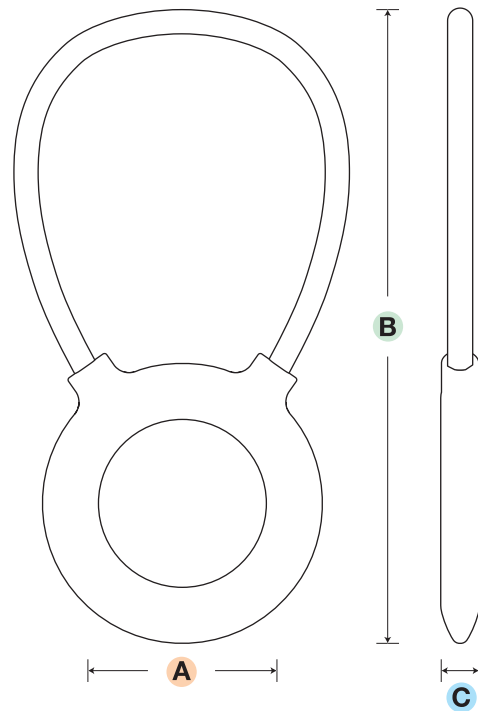
繩索拉片

TPE

- Provides easy opening and closing of zippers.
- Reduced noise due to soft material.
- Cord is firmly attached during injection molding process.

- 輕鬆拉動
- 高強度及耐久性
- 2.5mm 雙繩

CODE	A	B	C
CP002A	25	84	5



CP004A

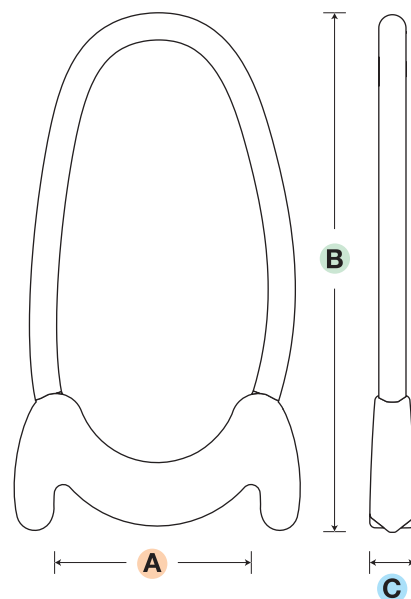
繩索拉片

TPE

- Provides easy opening and closing of zippers.
- Reduced noise due to soft material.
- Cord is firmly attached during injection molding process.

- 輕鬆拉動
- 高強度及耐久性
- 2.5mm 雙繩

CODE	A	B	C
CP004A	26	69	6



POWERHOOK™ Button



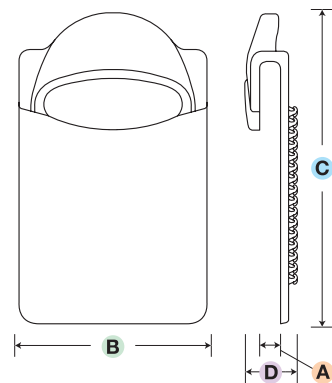
1QiBD-E 織帶尾夾

TPE

- Single process injection molded.
- Sewn directly onto the garment.
- 射出粘扣帶尾夾 (公扣) 是創新產品。
- 可直接車縫於產品上, 使用拉片即可從毛面剝離。



CODE	SIZE	A	B	C	D
1QiBD-E	25mm	3	26	42	7



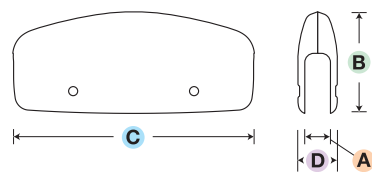
WE-DA1 織帶尾夾

TPE

- Sewn directly onto webbing.
- Adds a finished edge to webbing/tape end.
- 可車縫織帶尾夾。



CODE	SIZE	A	B	C	D
WE30DA1	30mm	3	14	32	5



Sewable



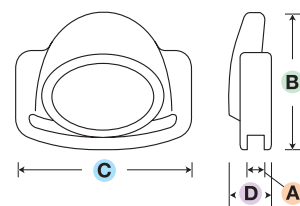
LE-B 織帶尾夾

TPE

- Sewn directly onto webbing.
- Adds a finished edge to webbing/tape end.
- 可車縫織帶尾夾。



CODE	SIZE	A	B	C	D
LE16B	16mm	2	16	19	5
LE20B	20mm	2	18	23	5
LE25B	25mm	2	20	28	5



POWERHOOK™ Tapeend



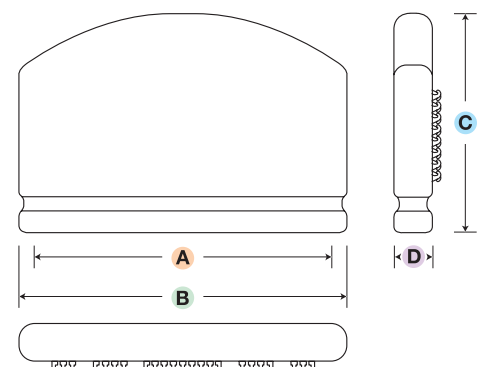
LE-PW 織帶尾夾

TPE

- Sewn directly onto webbing.
- Molded hook on one surface making this item attachable to standard loop.
- 附有射出勾面之織帶尾夾 (可車縫)。



CODE	SIZE	A	B	C	D
LE38PW	38mm	39	43	29	5



Metal adjuster 梯扣



Natural

Color variation



Silver



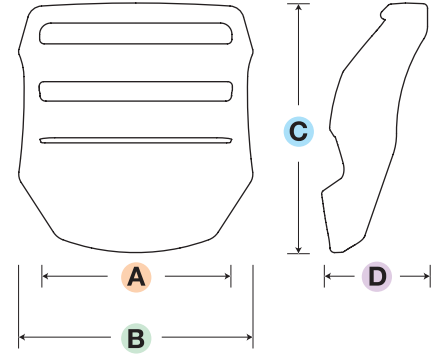
Black Nickel

AK-W

梯扣

- Lightweight
- Material :Aluminum
- Color: Natural / Silver / Black Nickel
- 輕量化造型。
- 鋁合金材料。
- 顏色：本色 / 銀色 / 黑鎳。

CODE	SIZE	A	B	C	D
AK25W	25mm	25	31	33	14



Natural

Color variation



Silver



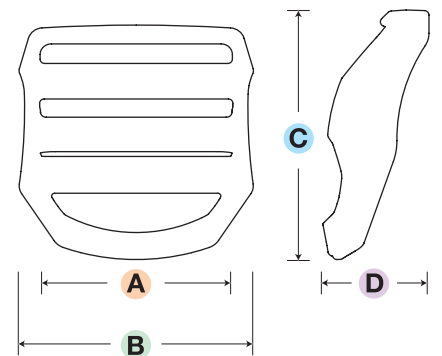
Black Nickel

AK-WL

梯扣

- Lightweight
- Material :Aluminum
- Color: Natural / Silver / Black Nickel
- 輕量化造型。
- 鋁合金材料。
- 顏色：本色 / 銀色 / 黑鎳。

CODE	SIZE	A	B	C	D
AK25WL	25mm	25	31	33	14



Standard Colors



This color chart is for reference only and is not to be used for final color matching. Shades may vary due to the ink and printing resolution. For best results, always request a product sample, select color under D65 light source. Dye to Match Color available

色卡印刷顏色與實物多少有點差異，僅供參考，請以實體樣品顏色為主。可依客戶需求打色。

YKK Global Locations

Area	Country/Region	Address	Tel/Fax	Area	Country/Region	Address	Tel/Fax	
North & Central America	Atlanta	YKK (U.S.A.) INC. 1300 Cobb Industrial Drive Marietta, Georgia 30066 U.S.A.	TEL : 1-770-427-5521 FAX: 1-770-421-3624	Europe, Middle East & Africa	TURKEY	YKK METAL ve PLASTIK URUNLERI Maslak Mahallesi Eski Buyukdere Cad. No:27 orjin Maslak Plaza Kat:8 34398, Sariyer Istanbul, Turkey	TEL : 90-212-314-7900 FAX: 90-212-314-8040	
	San Francisco	YKK (U.S.A.) INC. 555 Airport Boulevard, Suite #410 Burlingame, CA94010, U.S.A.	TEL : 1-650-581-5254 FAX: 1-650-343-3317		SOUTH AFRICA	YKK SOUTHERN AFRICA (PTY) LTD. 110 Bram Fischer Drive, Ferndale Randburg. PO Box 2835, Pinegowrie 2123 R. SOUTH AFRICA	TEL : 27-11-781-4240 FAX: 27-11-781-4250	
	Dallas	YKK (U.S.A.) INC. 1400 Preston Road, Suite 260 Plano, TX75093, U.S.A.	TEL : 1-972-943-7770 FAX: 1-972-943-5938		China	Beijing	DALIAN YKK ZIPPER CO., LTD. 1004 Baihuan Building, No66 Guangqu Road, Chaoyang District, Beijing, 100025 CHINA	TEL : 86-10-5979-8626 FAX: 86-10-8586-0473
	Chicago	YKK (U.S.A.) INC. 2700 Patriot Blvd. Suite 180 Glenview, IL 60026, U.S.A.	TEL : 1-847-657-9295 FAX: 1-847-657-9356		Shanghai	SHANGHAI YKK ZIPPER CO.,LTD. 23th Floor, K.Wah Centre No.1010 HuaiHai Road (M), Shanghai 200031 CHINA	TEL : 86-21-5403-8181 FAX: 86-21-5405-0830	
	Anaheim	YKK (U.S.A.) INC. 5001 East La Palma Avenue, Anaheim, California 92807 U.S.A.	TEL : 1-714-701-1200 FAX: 1-714-701-1290		Shenzhen	YKK ZIPPER SHENZHEN CO., LTD. Rm01-02, 16-21, 34 Floor China Shine Plaza, No3-15 LinHeXi Road, TianHe District, Guangzhou, Guangdong	TEL : 86-20-3847-7968 FAX: 86-20-3839-9832	
	New York	YKK (U.S.A.) INC. 1411 Broadway, Suite 2510 New York, New York 10018 U.S.A.	TEL : 1-212-768-9776 FAX: 1-212-768-9775		CHINA-Hong Kong	Kowloon	YKK HONG KONG LTD. 14th Fl., Tower 2, Silvercord 30 Canton Road T.S.T., Kowloon CHINA-HONG KONG	TEL : 852-2378-8300 FAX: 852-2375-6088
	Seattle	YKK (U.S.A.) INC. 1300 SW 7th Street, Suite 109 Renton, Washington 98057 U.S.A.	TEL : 1-425-277-2503 FAX: 1-425-277-2579		Asia	TAIWAN	TAIPEI	YKK TAIWAN CO., LTD. 6Fl., No.40, Sec. 2, Min-Chuan East Road, Taipei, 10469 TAIWAN
CANADA	YKK CANADA INC. 3939 Thimens Boulevard, Ville St. Laurent, Quebec H4R 1X3 CANADA	TEL : 1-514-332-3350 FAX: 1-514-332-9140	KOREA	Seoul	YKK KOREA CO.,LTD. Danam Bldg, 20th Floor, 10, sowol-ro Jungu-gu Seoul, 04527 Rep of KOREA	TEL : 82-2-3705-7900 FAX: 82-2-3705-7991		
MEXICO	YKK MEXICANA S.A. de C.V. Av. Anil (Eje 3 Sur) 571 1er. Piso Int. 103, Colonia Granjas Mexico, Delegacion Iztacalco, CDMX, C.P. 08400, MEXICO	TEL : 52-55-5803-0690 FAX: 52-55-5803-0699	SINGAPORE	Singapore	YKK HOLDING ASIA PTE.LTD. 152, Beach Road, #08-02/04, Gateway East, Singapore 189721 SINGAPORE	TEL : 65-6296-3035 FAX: 65-6296-5166		
EL SALVADOR	YKK EL SALVADOR S.A.DE C.V. Km 31.5 Autopista, a Santa Ana, Jurisdiccion de San Juan Opico La Libertad EL SALVADOR, C.A.	TEL : 503-2319-1100 FAX: 503-2319-1190	VIETNAM	Ho Chi Minh	YKK VIETNAM CO., LTD. 4th floor, AB Tower, 76 Le Lai, Ben Thanh Ward, District 1, Ho Chi Minh City, Vietnam	TEL : 842-8-3823-3793 3794 FAX: 842-8-3823-3795 2113		
GUATEMALA	YKK EL SALVADOR S.A. DE C.V. KM:30.5 Carretera CA9 Sur bodega 29 int.Purgue ind. Zeta la union, Amatitlan Guatemala	TEL : 502-6644-0644 FAX: 502-6644-0645	THAILAND	Bangkok	YKK (THAILAND) CO.,LTD. 9th Fl., Manoonpol Bldg. 2, 2884/1 New Petchburi Road, Bangkapi, Huaykwang, Bangkok 10310 THAILAND	TEL : 66-2-718-0590 FAX: 66-2-718-0591		
HONDURAS	YKK HONDURAS S.A. Colonia San Fernando, 2da Calle N.E., No. 1226 San Pedro Sula, Cortes, Honduras	TEL : 504-2553-3164 FAX: 504-2553-1728	PHILIPPINES	Manila	YKK PHILIPPINES, INC. 17th floor, Richiville Corporate Tower 1107 Alabang-Zapote Road, Madrigal Business Park, Muntinlupa City, Metro Manila PHILIPPINES	TEL : 63-2-807-8875 FAX: 63-2-807-8660		
South America	BRAZIL	YKK DO BRASIL LTDA. Rua Tenente Negro No.100, Itaim Bibi 04530-911 Sao Paulo, SP BRAZIL	TEL : 55-11-3066-1111 FAX: 55-11-3167-0105	INDONESIA	Jakarta	PT. YKK ZIPPER INDONESIA (P.O.Box 3108/Jkt.) Jl. RP. Soeroso No.7 Jakarta Pusat 10330 INDONESIA	TEL : 62-21-3193-1708 FAX: 62-21-310-6751	
ARGENTINA	YKK ARGENTINA S.A. Av. Triunvirato 2729 CV1427AAA, Buenos Aires REPUBLICA ARGENTINA	TEL : 54-11-4554-3333 FAX: 54-11-4553-5095	INDIA	Delhi	YKK INDIA PVT. LTD. Global Business Park, 3rd Floor, Tower - A Mehrauli - Gurgaon Road Gurgaon Haryana 122002 INDIA	TEL : 91-124-3924-800 FAX: 91-124-3924-899		
Europe, Middle East & Africa	UNITED KINGDOM	YKK EUROPE LTD. 7th floor, Longbow House 14-20 Chiswell Street, London, EC1Y 4TW UNITED KINGDOM	TEL : 44-20-7448-1333 FAX: 44-20-7448-1345	AUSTRALIA	Sydney	YKK OCEANIA LTD (AUSTRALIA) Unit3, 1 the Crescent Kingsgrove, NSW2208 AUSTRALIA	TEL : 61-2-9577-1955 FAX: 61-2-9577-1999	
	Runcorn	YKK (U.K.) LTD. Whitehouse Industrial Estate, Runcorn, Cheshire WA7 3BW UNITED KINGDOM	TEL : 44-1928-713-737 FAX: 44-1928-718-768	NEW ZEALAND	Auckland	YKK OCEANIA LTD (NEW ZEALAND) 49 Holmes Road Private Bag. 803 Manurewa, Auckland NEW ZEALAND	TEL : 64-9-267-0400 FAX: 64-9-269-0287	
	GERMANY	YKK EUROPE LTD. Kirchhofstrasse, 52, D-42327 Wuppertal FED.REP.OF GERMANY	TEL : 49-202-7493-544 FAX: 49-202-7493-446	Japan	Tokyo	YKK CORPORATION FASTENING PRODUCTS GROUP JAPAN COMPANY TOKYO BUSINESS OFFICE 2-1-5,Higashinippori, Arakawa-ku, Tokyo 116-0014 Japan	TEL : 81-3-5604-6100 FAX: 81-3-5604-6379	
	Mainhausen	YKK DEUTSCHLAND GMBH Ostring 33 D-63533 Mainhausen FED.REP.OF GERMANY	TEL : 49-6182-805-1570 FAX: 49-6182-805-1570	Osaka	OSAKA BUSINESS OFFICE Tanimachi YF Bldg., 4-8-7, Tanimachi, Chuo-ku, Osaka, 540-0012, Japan	TEL : 81-6-6941-4110 FAX: 81-6-6941-4326		
	FRANCE	YKK FRANCE SARL 1 bis rue Collange, 92300 Levallois-Parret, FRANCE	TEL : 33-1-40-89-62-00 FAX: 33-1-40-89-62-22	ITALY	Milano	YKK ITALIA SPA Via Pitagora, 1 20016 Pero(MI) ITALY	TEL : 39-02-3394051 FAX: 39-02-3533008	
	ITALY	YKK ITALIA SPA Via Pitagora, 1 20016 Pero(MI) ITALY	TEL : 39-02-3394051 FAX: 39-02-3533008	SPAIN	Barcelona	YKK ESPANA SA Travessera de les Corts 49-59(Bajos), 08028, Barcelona SPAIN	TEL : 34-93-447-9700 FAX: 34-93-440-0003	



Information concerning safe operation

Carefully read the following information so you can make the best and safest use of our fastening products.

YKK goes to great lengths to maintain the quality and safety of our products while making sure they are comfortable for our customers to use.

Our sales staff is prepared to assist you in all stages of your product development projects from planning to setting up specifications. Feel free to consult with them at any time.

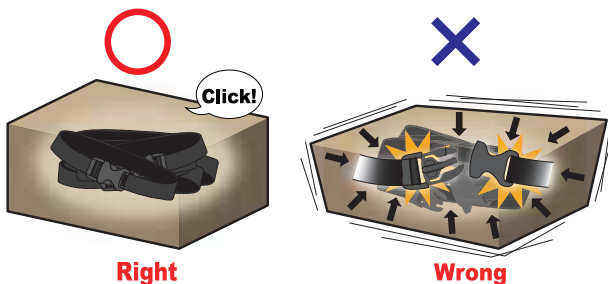
Caution

1. Our plastic hardware is developed for luggage, bags and apparel. If you use our product for any specialized use, and especially for one of the applications listed below, please contact your YKK sales representative,

- ① personal flotation devices (PFD), baby carriers (baby sling) or any other applications which are subject to particular standards,
- ② stretchers, safety belts or any applications which are for weight-bearing,
- ③ child seats, wheelchairs, or any applications for use to reduce movement,
- ④ hard hats or any applications which provide safety features.
- ⑤ If you intend to sell our plastic hardware to retailers or directly to consumers, please contact us in advance.

The above list is provided by way of example and is not intended to be exhaustive. We cannot guarantee that a product is suitable for a particular application therefore you should always conduct your own tests.

2. Once our products are attached to other items, there may be approved ways to pack, store or ship them in order to ensure their continued high quality. For example, buckles should be correctly combined in order to avoid deformation breakage or detachment.



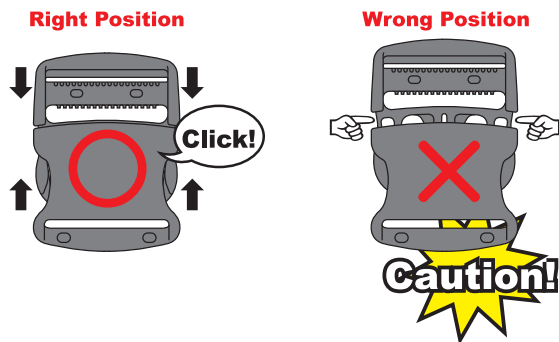
3. Please contact your sales representative about the certification of Oeko-Tex standard 100 or others.

When using our products you should

1. Choose the right fastener for your application from our product line. Your YKK sales representative can help you understand the variety of our products, their sizes, strengths and specifications.
2. Select plastic hardware that is the appropriate size for the tape in your application.
3. Refrain from using plastic hardware that has been exposed to or is covered in dirt of any sort. Product damage or malfunction may arise if the plastic hardware is not clean.
4. Refrain from using plastic and metal parts in one unit because of the potential for product abrasion.
5. Refrain from using goods left outdoors for a long time, exposure to the sun and other elements may cause product discoloration and/or quality deterioration.
6. Avoid using items that have been in contact with or near a heat source. Heat may cause product deformation and/or quality deterioration.
7. Refrain from using goods that have been in direct or indirect contact with chemicals. Check for residual chemicals on all parts of plastic hardware whether applied by YKK or coming from another source.
8. Refrain from using a product in a position that is subject to pressure, impact, or abrasion or other condition where product deformation and/or damage may result.
9. Only make your choice of YKK product after adequate checks have been made. The strength of YKK products depend on the materials used; the texture; the thickness of webbing; the position of the weld line and other factors which you will need to take into account. For further information please contact your YKK sales representative.
10. Due to certain material combination, friction noise may be possible. If silent operation is necessary, please contact your YKK sales representative for detail.

Recommendations for using YKK Buckles

1. When fastening a buckle, insert the plug straight into the intended socket until you hear a clicking sound indicating the two parts are interlocking. Next lightly pull on both parts to confirm that they have been completely fastened. Incomplete fastening may result in product deformation and damage to any article attached to the buckle especially if the plug comes loose from the socket. If the two parts cannot be fastened together, check again for any foreign material. Do not try to force the plug into the socket.



2. Buckles should not be used in positions where they will be put under external pressure.
3. All plastic material deteriorates over time. Buckles that have been used for a long time should be checked for damage, cracks, deformations and abrasions before each use. If any abnormalities are found, stop using them immediately. Use in such circumstances may cause further product damage and/or malfunctions.
4. Completely remove any foreign materials including dust, sand or mud from buckles before use.
5. Situations which involve the application of excessive pressure or impact force to a plastic fastener as for example when it is stepped on, struck or thrown, will result in a lowering of performance.
6. We will not be held responsible for damage to the buckles, or unauthorized modification of buckles.

Material Properties

1. All our products are limited by the properties and qualities of the materials used.
2. Some products have a weld mark (the line of a bonded surface). The mark is not a defect, damage or crack. Please check the product carefully before using.

YKK is not responsible for any defects, injuries or damages caused by the misuse/misapplication or remodeling of our products.

為達到安全使用塑鋼、金屬扣具之目的，請務必詳閱本文件。

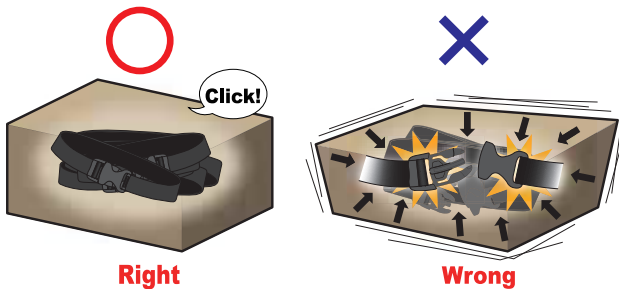
本公司為貫徹產品之品質管理，一向注重於安全性之追求，以期能提供讓客戶安心使用之產品。

注意

1. 本公司產品主要針對行李、袋類與成衣類而進行開發。若有需要用於下列用途或產品的，請與本公司營業人員聯絡：

- ① 抱嬰帶 以及救生衣等具有特別規格標準商品、
- ② 支撐人體體重的商品（擔架、安全帶等）、
- ③ 制動商品（兒童安全座椅、看護用座椅等）、
- ④ 確保人身安全的商品（安全帽等）
- ⑤ 零售商向一般消費者銷售之時，也請務必與本公司營業人員聯絡。
上述各項內容僅為部分使用範例，不作為對本公司產品是否能夠用於特定用途的保證。請務必進行充分測試之後，再使用本公司產品。

2. 商品進行縫製、加工之後，由於扣具等是由兩個以上部件構成的組合產品，請務必將其扣合，並且以固定的狀態進行包裝、保管或者運輸。若扣具在未完全扣合的狀態下長時間承受負荷，可能引起塑料材料性質的變化、產品變形從而導致脫落等問題。



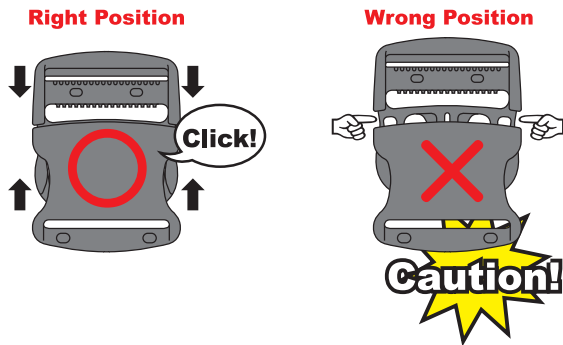
3. 對於YKK扣具是否符合相關環境要求的確認，請與YKK各營業單位詢問。

YKK產品使用須知

1. 本公司備有各種型號、尺寸、強度與規格的產品，請依據您的用途挑選合適產品。
2. 請選擇符合織帶（纖維製品）寬度的塑料製品。如果搭配的塑料製品與織帶尺寸不符，塑料製品可能會出現脫落、破損、無法確保產品功能的情況，織帶可能出現皺摺、扭曲變形之虞，敬請留意。
3. 將產品暴露於灰塵、沙土、污泥之中，將導致產品功能不彰、劣化，故請避免此類使用。
4. 將塑料製品與其他金屬產品組合使用時，很可能造成磨損，故請避免此類使用。
5. 將產品長時間放置於屋外曝曬，否則將造成褪色、劣化，故請避免此類使用。
6. 產品接觸熱源、在熱源附近使用或將產品置於高溫中，將造成產品變形、劣化，故請避免此類使用。
7. 產品直接或間接與化學藥品接觸，尤其與酸、鹼性物質共同使用，將造成產品物理性質的變化，故請避免此類使用。此外，請注意與產品一同使用的其他零件上殘留的化學物質。
8. 在長時間遭受壓迫、撞擊、磨損的場所使用產品，將導致產品變形、損壞，故請避免此類使用。
9. 扣具根據織帶（纖維製品）的材質、折疊方式和厚度的不同，扣具扣合時的強度也存在差異。請在充分測試和確認產品狀態的前提下進行使用。
10. 因扣具材質特性不同，彼此組合後可能發生噪音現象，如有靜音要求的話，請與各營業單位洽詢。

YKK產品操作須知

1. 使用扣具等由兩個以上部件構成的組合產品之時，請將公扣筆直插入母扣，直至發出喀嚓的扣合聲。之後，請輕拉扣具兩邊以確認是否完全扣合。在未完全扣合的情況下使用扣具，將致使產品變形、破損，請務必注意。



2. 扣具的操作部分易受外力影響，可能出現意外脫落情況，請立即停止使用。
3. 使用產品前，請確認扣具外觀上是否存在傷痕、破裂、變形等異常。外觀上的異常可能導致產品的損壞、功能不全，請立即停止使用。
4. 產品上附著有灰塵、泥沙時，可能導致產品的損壞、功能不全，請將其清理後再行使用。
5. 踩踏、敲擊、投擲等行為，可能造成產品承受過度的壓迫或者衝擊，導致產品出現損壞、功能不全的情況，請務必避免。
6. 使用產品時請務必注意可能出現的傷害。YKK對於採取錯誤或粗暴的產品使用方式，以及因擅自改造產品所造成的產品的損壞、人身的傷害以及其他任何損害不承擔任何責任。

有關材料特性的說明：

1. 由於本公司產品材料性質的原因，本公司產品使用方法中具有特別的限制。希望各位理解並按照正確的方法使用。
2. 由於採用樹脂材料，本公司產品的表面可能存在溶接細紋（溶接細紋是由於樹脂溶解分開後再次合流所產生的細紋），並非產品的表面瑕疵或產品品質問題。請在充分確認產品樣品的前提下進行使用。

YKK對於採取錯誤的產品使用方式，以及因擅自改造產品所引發的「缺陷」、「傷害」、「損壞」將不負任何責任。



▶ Access to
Plastic Hardware Item Page



<http://www.ykkfastening.com>

"YKK" and the combined mark of "YKK Little Parts. Big Difference." are registered trademarks of YKK CORPORATION in Japan and other countries/regions.
"SharpnLoc", "CYBERLOC", "SHOCKONLOC", "LOCWAVE", "HAMMERLOC" and "ZIPCAP" are registered trademarks of YKK CORPORATION in Japan and other countries/regions.
"POWERHOOK" is a trademark of YKK CORPORATION in Japan and other countries/regions.

©2018. YKK CORPORATION
Printed in Japan
Aug. 2018 EL ⓘ